

ROBOTICS

Product manual, spare parts

IRB 1300



Trace back information:
Workspace 23C version a19
Checked in 2023-10-04
Skribenta version 5.5.019

Product manual, spare parts

IRB 1300-11/0.9
IRB 1300-10/1.15
IRB 1300-7/1.4
IRB 1300-12/1.4

OmniCore

Document ID: 3HAC070392-001

Revision: E

The information in this manual is subject to change without notice and should not be construed as a commitment by ABB. ABB assumes no responsibility for any errors that may appear in this manual.

Except as may be expressly stated anywhere in this manual, nothing herein shall be construed as any kind of guarantee or warranty by ABB for losses, damage to persons or property, fitness for a specific purpose or the like.

In no event shall ABB be liable for incidental or consequential damages arising from use of this manual and products described herein.

This manual and parts thereof must not be reproduced or copied without ABB's written permission.

Keep for future reference.

Additional copies of this manual may be obtained from ABB.

Original instructions.

© Copyright 2020-2023 ABB. All rights reserved.
Specifications subject to change without notice.

Table of contents

Overview of this manual	7
Product documentation	9
1 Spare parts and exploded views	11
1.1 Spare parts - electrical parts	12
1.1.1 Manipulator cable harness	12
1.1.2 Manipulator cable harness parts	17
1.1.3 Brake release unit	20
1.1.4 SMB unit	21
1.2 Spare parts - base	22
1.2.1 Base	22
1.2.2 Base parts	23
1.3 Spare parts - swing	25
1.3.1 Swing	25
1.3.2 Swing parts	26
1.4 Spare parts - lower arm	30
1.4.1 Lower arm	30
1.4.2 Lower arm parts	32
1.5 Spare parts - housing and extender unit	35
1.6 Spare parts - tubular	37
1.7 Spare parts - tilt unit	39
1.8 Spare parts - motors	40
1.8.1 Axis-1 motor	40
1.8.2 Axis-2 motor	41
1.8.3 Axis-3 motor	42
1.8.4 Axis-4 motor	44
1.8.5 Axis-5 and axis-6 motors	45
1.9 Spare parts - gearboxes	46
1.9.1 Axis-1 gearbox	46
1.9.2 Axis-2 gearbox	47
1.9.3 Axis-3 gearbox	48
1.9.4 Axis-4 gearbox	49
1.10 Spare parts - mechanical stops	51
1.10.1 Axis-1 mechanical stops	51
1.10.2 Axis-2 mechanical stops	52
1.10.3 Axis-3 mechanical stops	53
1.10.4 Axis-4 mechanical stops	55
1.11 Spare parts - Accessories	56
1.11.1 Axis Calibration items	56
1.11.2 Special tools	62

This page is intentionally left blank

Overview of this manual

About this manual

This manual contains spare parts for:

- IRB 1300 and all its variants.

Usage

This manual shall be used as a complement to the product manual for IRB 1300 during:

- maintenance work
- repair work.

Who should read this manual?

This manual is intended for:

- maintenance personnel
- repair personnel.

Prerequisites

Maintenance/repair/installation personnel working with an ABB Robot must:

- be trained by ABB and have the required knowledge of mechanical and electrical installation/repair/maintenance work.

Organization of chapters

The manual is organized in the following chapters:

Chapter	Contents
1 Spare parts and exploded view	Complete spare part list and complete list of robot components shown in exploded views.

References

Reference	Document ID
<i>Product manual - IRB 1300</i>	3HAC070390-001
<i>Circuit diagram - IRB 1300</i>	3HAC068887-003

Revisions

Revision	Description
A	First edition.
B	Published in release 20D. The following updates are made in this revision: <ul style="list-style-type: none"> • A new O-ring on swing (3HAC061327-036) is added.
C	Published in release 21A. The following updates are made in this revision: <ul style="list-style-type: none"> • Spare parts of protection class IP67 (option 3350-670), protection type Clean Room (option 3351-4) and protection type Foundry Plus (option 3352-10) are added. • Connector kits spare parts are added.
D	Published in release 22A. The following updates are made in this revision: <ul style="list-style-type: none"> • Spare parts for new variant IRB 1300-12/1.4 are added.

Continues on next page

Overview of this manual

Continued

Revision	Description
E	<p>Published in release 23C. The following updates are made in this revision:</p> <ul style="list-style-type: none"><li data-bbox="655 338 1374 394">• Spare parts for robots with solenoid valve (option 3303-3) are added.<li data-bbox="655 398 1283 434">• Updated information about radial sealing on housing.

Product documentation

Categories for user documentation from ABB Robotics

The user documentation from ABB Robotics is divided into a number of categories. This listing is based on the type of information in the documents, regardless of whether the products are standard or optional.



Tip

All documents can be found via myABB Business Portal, www.abb.com/myABB.

Product manuals

Manipulators, controllers, DressPack, and most other hardware is delivered with a **Product manual** that generally contains:

- Safety information.
- Installation and commissioning (descriptions of mechanical installation or electrical connections).
- Maintenance (descriptions of all required preventive maintenance procedures including intervals and expected life time of parts).
- Repair (descriptions of all recommended repair procedures including spare parts).
- Calibration.
- Troubleshooting.
- Decommissioning.
- Reference information (safety standards, unit conversions, screw joints, lists of tools).
- Spare parts list with corresponding figures (or references to separate spare parts lists).
- References to circuit diagrams.

Technical reference manuals

The technical reference manuals describe reference information for robotics products, for example lubrication, the RAPID language, and system parameters.

Application manuals

Specific applications (for example software or hardware options) are described in **Application manuals**. An application manual can describe one or several applications.

An application manual generally contains information about:

- The purpose of the application (what it does and when it is useful).
- What is included (for example cables, I/O boards, RAPID instructions, system parameters, software).
- How to install included or required hardware.
- How to use the application.

Continues on next page

- Examples of how to use the application.

Operating manuals

The operating manuals describe hands-on handling of the products. The manuals are aimed at those having first-hand operational contact with the product, that is production cell operators, programmers, and troubleshooters.

1 Spare parts and exploded views

Spare part level

ABB spare parts are categorized into two levels, L1 and L2. Always check the part level before conducting a service work on a spare part.

- L1 spare parts

The L1 parts can be replaced in the field. The maintenance and replacement instructions given in the related product manuals must be strictly followed. If there are any problems, contact your local ABB for support.

- L2 spare parts

To replace the L2 parts require specialized training and might need special tools. Only ABB field service personnel or qualified personnel trained by ABB can replace L2 parts.

Continues on next page

1 Spare parts and exploded views

1.1.1 Manipulator cable harness

1.1 Spare parts - electrical parts

1.1.1 Manipulator cable harness

Spare part list

	Spare part number	Description	IP40	IP67	Clean Room	Foundry Plus	Spare part level
A	3HAC073303-001	Main cable harness, S, basic Used for IRB 1300-11/0.9.	X	X		X	L2
	3HAC073304-001	Main cable harness, S (CP/CS and air hose, without Ethernet) Used for IRB 1300-11/0.9.	X	X		X	L2
	3HAC073305-001	Main cable harness, S (CP/CS and air hose, with Ethernet) Used for IRB 1300-11/0.9.	X	X		X	L2
	3HAC077833-001	Main cable harness, S, basic, Clean Room Used for IRB 1300-11/0.9.			X		L2
	3HAC077834-001	Main cable harness, S, Clean Room (CP/CS and air hose, without Ethernet) Used for IRB 1300-11/0.9.			X		L2
	3HAC077835-001	Main cable harness, S, Clean Room (CP/CS and air hose, with Ethernet) Used for IRB 1300-11/0.9.			X		L2
B	3HAC073300-001	Main cable harness, M, basic Used for IRB 1300-10/1.15.	X	X		X	L2
	3HAC073301-001	Main cable harness, M (CP/CS and air hose, without Ethernet) Used for IRB 1300-10/1.15.	X	X		X	L2
	3HAC073302-001	Main cable harness, M (CP/CS and air hose, with Ethernet) Used for IRB 1300-10/1.15.	X	X		X	L2
	3HAC077830-001	Main cable harness, M, basic, Clean Room Used for IRB 1300-10/1.15.			X		L2
	3HAC077831-001	Main cable harness, M, Clean Room (CP/CS and air hose, without Ethernet) Used for IRB 1300-10/1.15.			X		L2
	3HAC077832-001	Main cable harness, M, Clean Room (CP/CS and air hose, with Ethernet) Used for IRB 1300-10/1.15.			X		L2

Continues on next page

1 Spare parts and exploded views

1.1.1 Manipulator cable harness

Continued

	Spare part number	Description	IP40	IP67	Clean Room	Foundry Plus	Spare part level
C	3HAC073297-001	Main cable harness, L, basic Used for IRB 1300-7/1.4 and IRB 1300-12/1.4.	X	X		X	L2
	3HAC073298-001	Main cable harness, L (CP/CS and air hose, without Ethernet) Used for IRB 1300-7/1.4 and IRB 1300-12/1.4.	X	X		X	L2
	3HAC073299-001	Main cable harness, L (CP/CS and air hose, with Ethernet) Used for IRB 1300-7/1.4 and IRB 1300-12/1.4.	X	X		X	L2
	3HAC077827-001	Main cable harness, L, basic, Clean Room Used for IRB 1300-7/1.4 and IRB 1300-12/1.4.			X		L2
	3HAC077828-001	Main cable harness, L, Clean Room (CP/CS and air hose, without Ethernet) Used for IRB 1300-7/1.4 and IRB 1300-12/1.4.			X		L2
	3HAC077829-001	Main cable harness, L, basic, Clean Room Used for IRB 1300-7/1.4 and IRB 1300-12/1.4.			X		L2
D	3HAC073306-001	Process hub, basic	X	X		X	L2
	3HAC073307-001	Process hub (CP/CS and air hose, without Ethernet)	X	X		X	L2
	3HAC073308-001	Process hub (CP/CS and air hose, with Ethernet)	X	X		X	L2
	3HAC077836-001	Process hub, basic, Clean Room			X		L2
	3HAC077837-001	Process hub, Clean Room (CP/CS and air hose, without Ethernet)			X		L2
	3HAC077838-001	Process hub, Clean Room (CP/CS and air hose, with Ethernet)			X		L2
	3HAC086554-001	Process hub (with solenoid valve) Used for robots with option 3303-3 Solenoid Valves Ext. selected. Also involves CP/CS, air hose and Ethernet.	X	X			
E	3HAC070887-001	Gasket for process hub		X	X	X	L1
F	3HAC070829-001	Silencer, M5 Used for robots with option 3303-3 Solenoid Valves Ext. selected.	X	X			

Continues on next page





1 Spare parts and exploded views

1.1.1 Manipulator cable harness

Continued

Spare part illustration

Cable harness



	Robot type	Rear connector interface	Bottom connector interface
A	IRB 1300-11/0.9	 xx2000001260	 xx2000001261
B	IRB 1300-10/1.15	 xx2000001258	 xx2000001259

Continues on next page

1 Spare parts and exploded views

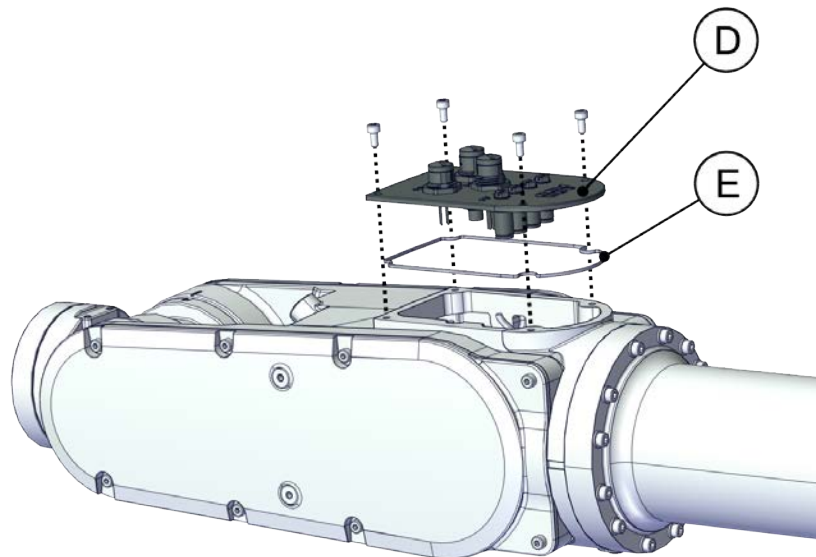
1.1.1 Manipulator cable harness

Continued

	Robot type	Rear connector interface	Bottom connector interface
C	IRB 1300-7/1.4 and IRB 1300-12/1.4.	 <p data-bbox="413 831 520 846">xx2000001256</p>	 <p data-bbox="928 898 1035 913">xx2000001257</p>

Process hub

Following figure illustrates the process hub on robots without a solenoid valve.



xx2000002321

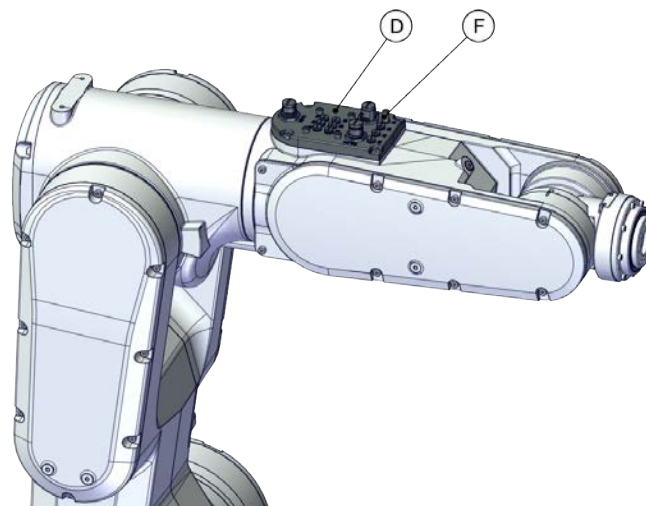
Continues on next page

1 Spare parts and exploded views

1.1.1 Manipulator cable harness

Continued

Following figure illustrates the process hub on robots with a solenoid valve (option 3303-3 Solenoid Valves Ext.).



xx2300001377

1 Spare parts and exploded views

1.1.2 Manipulator cable harness parts

1.1.2 Manipulator cable harness parts

Spare part list

	Spare part number	Description	IP40	IP67	Clean Room	Foundry Plus	Spare part level
A	3HAC064694-001	Plastic cable protector, axis 4	X	X	X	X	L2
B	3HAC064693-001	Plastic cable protector, axis 3	X	X	X	X	L2
C	3HAC067816-001	Plastic cable protector, axis 2	X	X	X	X	L2
D	3HAC032050-001	Seal bolt		X	X	X	L1
E	3HAB3772-19	O-ring		X	X	X	L1
-	3HAC066098-001	M12 CPCS Male straight connector kits	X	X	X	X	L1
-	3HAC066099-001	M12 CPCS Male angled connector kits	X	X	X	X	L1
-	3HAC068412-001	M12 CPCS Male straight connector kits	X	X	X	X	L1
-	3HAC068413-001	M12 CPCS Male angled connector kits	X	X	X	X	L1
-	3HAC067413-001	M12 Ethernet CAT6a Male straight connector kits	X	X	X	X	L1
-	3HAC067414-001	M12 Ethernet CAT6a Male angled connector kits	X	X	X	X	L1

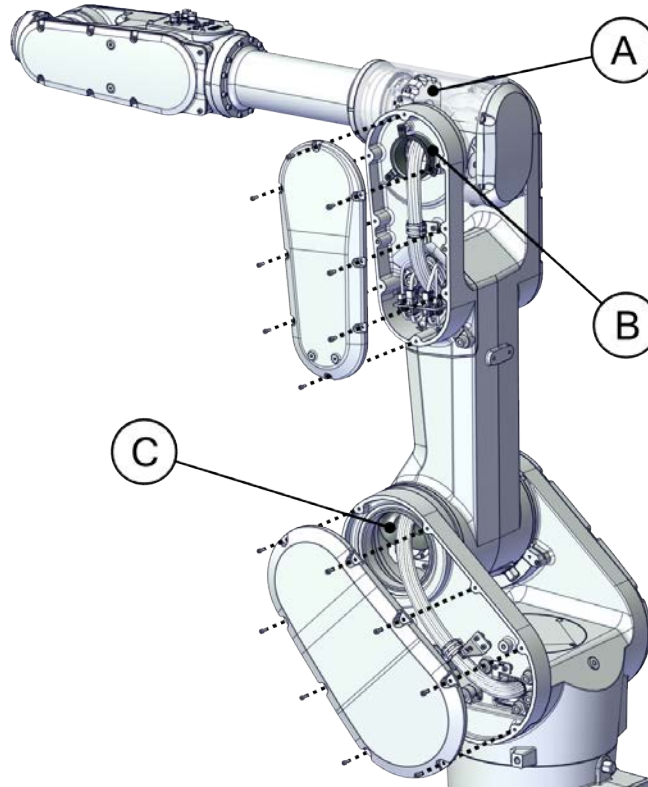
Continues on next page

1 Spare parts and exploded views

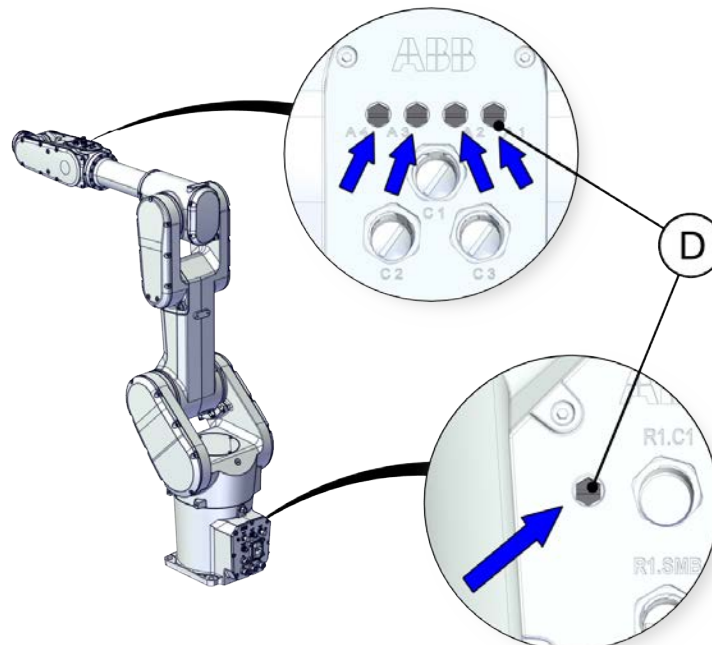
1.1.2 Manipulator cable harness parts

Continued

Spare part illustration



xx2000001227



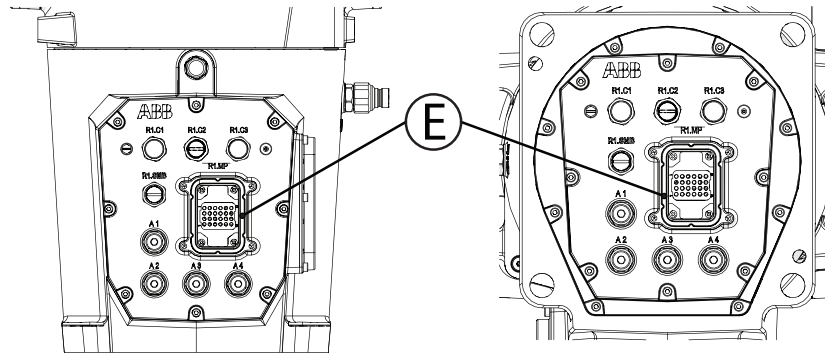
xx2000002322

Continues on next page

1 Spare parts and exploded views

1.1.2 Manipulator cable harness parts

Continued



xx2000002340

1 Spare parts and exploded views

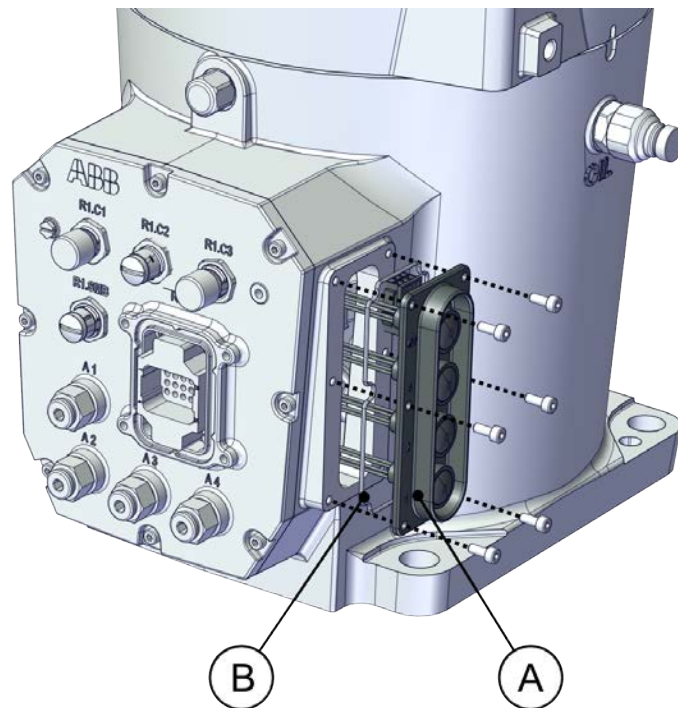
1.1.3 Brake release unit

1.1.3 Brake release unit

Spare part list

	Spare part number	Description					Spare part level
			IP40	IP67	Clean Room	Foundry Plus	
A	3HAC073296-001	Brake release unit	X	X		X	L2
	3HAC077826-001	Brake release unit, Clean Room			X		L2
B	3HAC070274-001	Gasket for brake release unit		X	X	X	L1

Spare part illustration



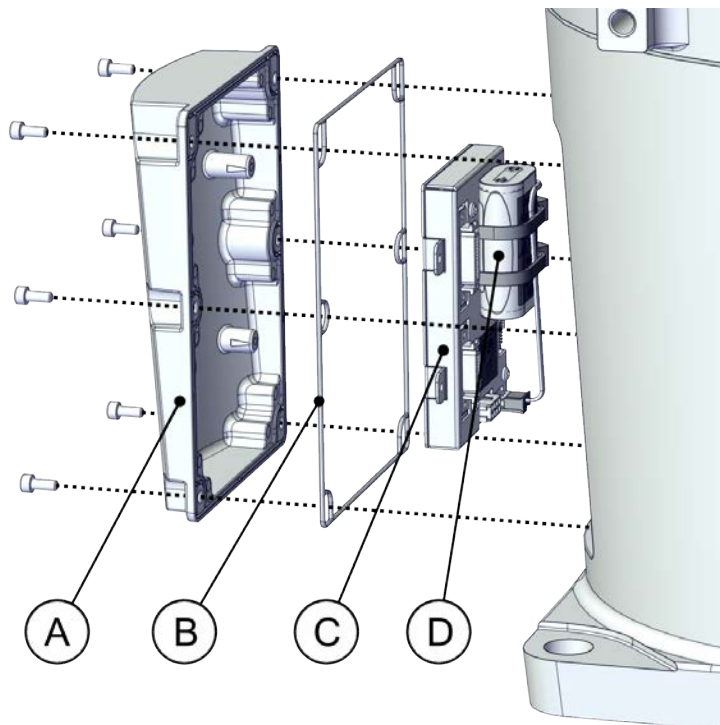
xx2000002323

1.1.4 SMB unit

Spare part list

	Spare part number	Description					Spare part level
			IP40	IP67	Clean Room	Foundry Plus	
A	3HAC076475-001	SMB cover	X	X		X	L1
	3HAC077839-001	SMB cover, Clean Room			X		L1
B	3HAC067820-001	Gasket for SMB cover		X	X	X	L1
C	3HAC063968-001	Serial measurement unit	X	X	X	X	L2
D	3HAC044075-001	Battery pack	X	X	X	X	L2

Spare part illustration



xx2000002324

1 Spare parts and exploded views

1.2.1 Base

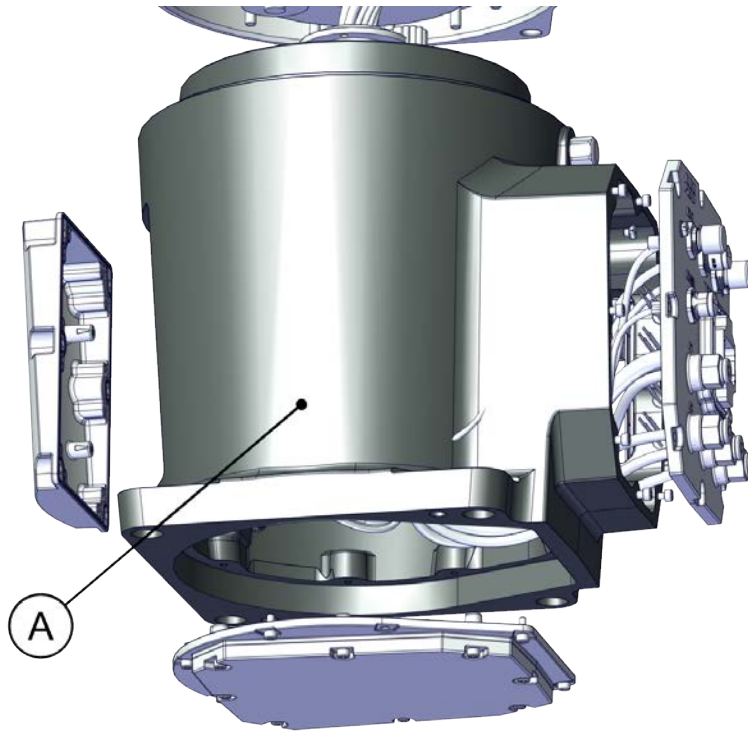
1.2 Spare parts - base

1.2.1 Base

Spare part list

	Spare part number	Description	IP40	IP67	Clean Room	Foundry Plus	Spare part level
A	3HAC073029-001	Base	X	X			L2
	3HAC077806-001	Base, Clean Room			X		L2
	3HAC077840-001	Base, Foundry Plus				X	L2
	3HAC082393-001	Base (IRB 1300-12/1.4)	X	X			L2
	3HAC082394-001	Base, Clean Room (IRB 1300-12/1.4)			X		L2
	3HAC082395-001	Base, Foundry Plus (IRB 1300-12/1.4)				X	L2

Spare part illustration



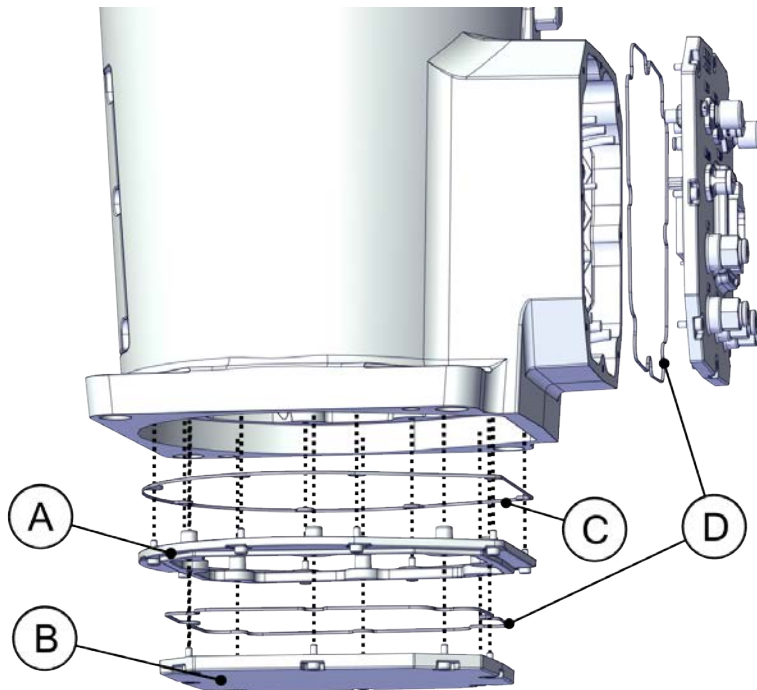
xx2000001230

1.2.2 Base parts

Spare part list

	Spare part number	Description	IP40	IP67	Clean Room	Foundry Plus	Spare part level
A	3HAC073089-001	Base adapter Used for robots with bottom connector interface.	X	X	X	X	L1
B	3HAC073090-001	Base cover	X	X		X	L1
	3HAC077819-001	Base cover, Clean Room			X		L1
C	3HAC067818-001	Gasket for base adapter		X	X	X	L1
D	3HAC067819-001	Gasket for base cover		X	X	X	L1
E	3HAC074630-001	Quick coupling	X	X	X	X	L1
F	3HAC066433-001	Radial sealing	X	X	X	X	L2
G	3HAC070148-002	Radial sealing	X	X	X	X	L2

Spare part illustration



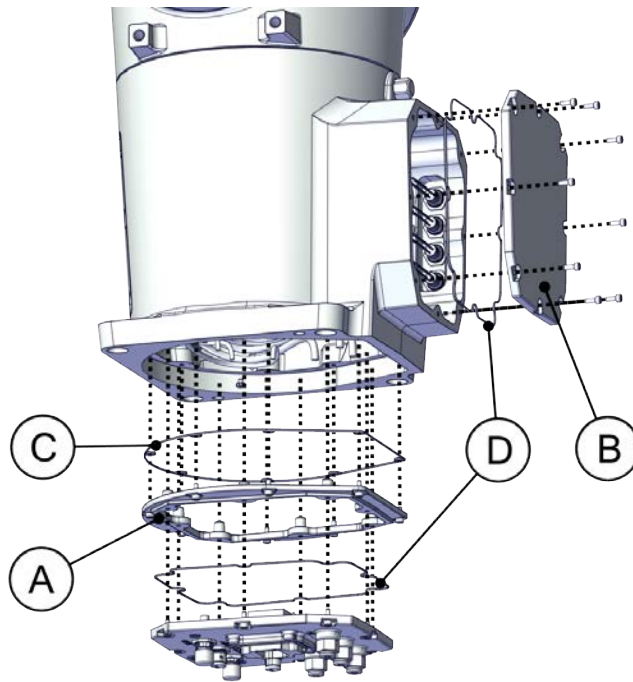
xx2000002325

Continues on next page

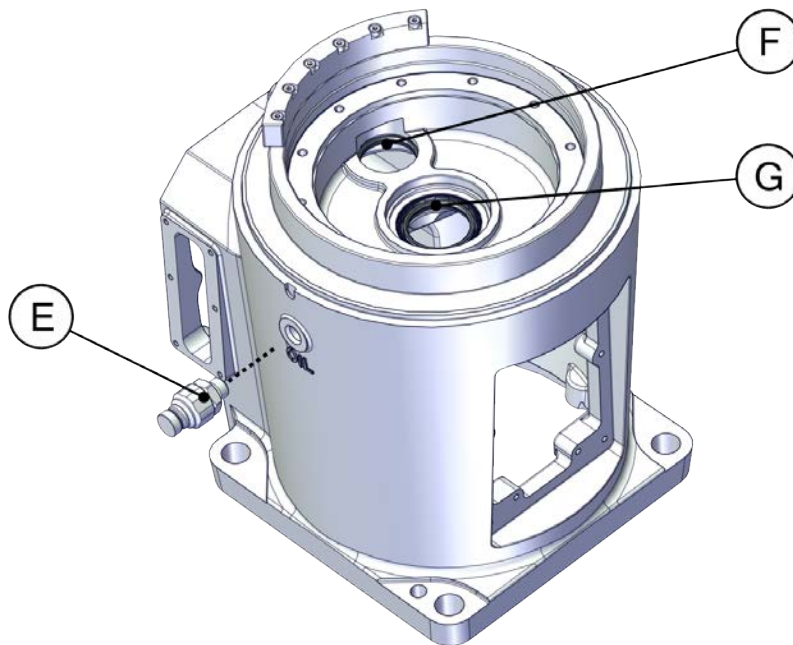
1 Spare parts and exploded views

1.2.2 Base parts

Continued



xx2000002320



xx2000002318

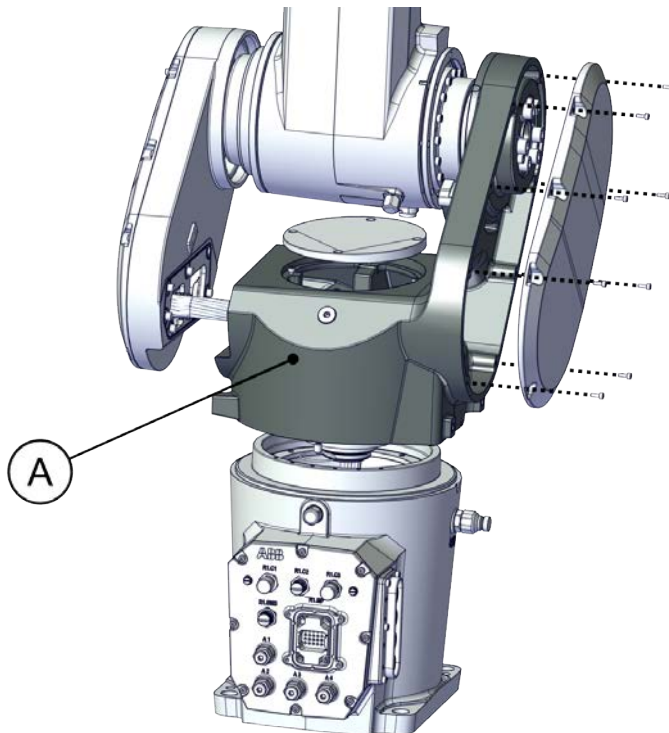
1.3 Spare parts - swing

1.3.1 Swing

Spare part list

	Spare part number	Description	IP40	IP67	Clean Room	Foundry Plus	Spare part level
A	3HAC073040-001	Swing, short Used for IRB 1300-11/0.9.	X	X		X	L2
	3HAC077807-001	Swing, short, Clean Room Used for IRB 1300-11/0.9.			X		L2
	3HAC073047-001	Swing, long Used for IRB 1300-10/1.15, IRB 1300-7/1.4 and IRB 1300-12/1.4.	X	X		X	L2
	3HAC077809-001	Swing, long, Clean Room Used for IRB 1300-10/1.15, IRB 1300-7/1.4 and IRB 1300-12/1.4.			X		L2

Spare part illustration



xx2000001233

1 Spare parts and exploded views

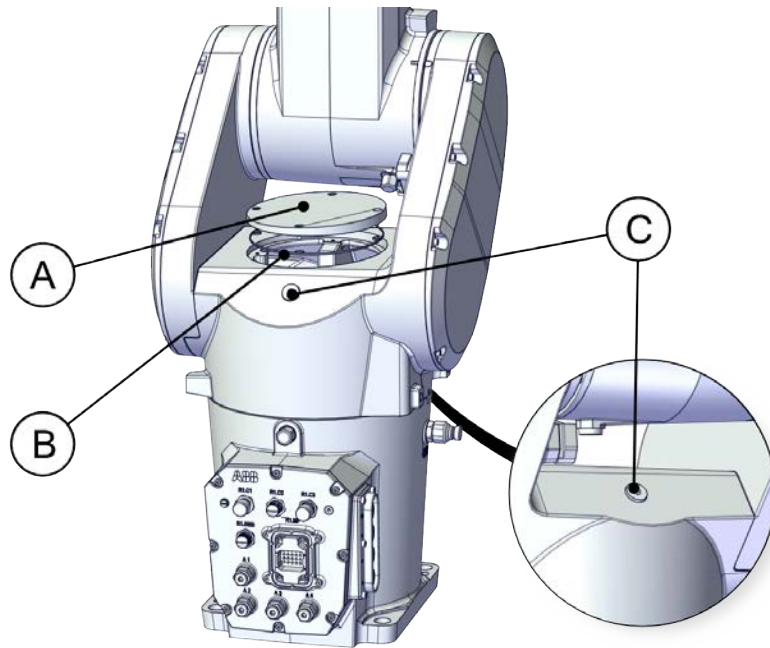
1.3.2 Swing parts

1.3.2 Swing parts

Spare part list - Part 1

	Spare part number	Description					Spare part level
			IP40	IP67	Clean Room	Foundry Plus	
A	3HAC073091-001	Swing top cover	X	X		X	L1
	3HAC077820-001	Swing top cover, Clean Room			X		L1
B	3HAC067821-001	Gasket for swing top cover		X	X	X	L1
C	3HAC037925-001	Magnetic oil plug, G 1/4"	X	X	X	X	L1

Spare part illustration - Part 1



xx2000002326

Continues on next page

1 Spare parts and exploded views

1.3.2 Swing parts Continued

Spare part list - Part 2

	Spare part number	Description	IP40	IP67	Clean Room	Foundry Plus	Spare part level
D	3HAC073095-001	Swing cover, short Used for IRB 1300-11/0.9.	X	X		X	L1
	3HAC077824-001	Swing cover, short, Clean Room Used for IRB 1300-11/0.9.			X		L1
	3HAC073096-001	Swing cover, long Used for IRB 1300-10/1.15, IRB 1300-7/1.4 and IRB 1300-12/1.4.	X	X		X	L1
	3HAC077825-001	Swing cover, long, Clean Room Used for IRB 1300-10/1.15, IRB 1300-7/1.4 and IRB 1300-12/1.4.			X		L1
E	3HAC067824-001	Gasket for swing cover, short Used for IRB 1300-11/0.9.		X	X	X	L1
	3HAC067825-001	Gasket for swing cover, long Used for IRB 1300-10/1.15, IRB 1300-7/1.4 and IRB 1300-12/1.4.		X	X	X	L1
F	3HAC073041-001	Swing support, short Used for IRB 1300-11/0.9.	X	X		X	L2
	3HAC077808-001	Swing support, short, Clean Room Used for IRB 1300-11/0.9.			X		L2
	3HAC073052-001	Swing support, long Used for IRB 1300-10/1.15, IRB 1300-7/1.4 and IRB 1300-12/1.4.	X	X		X	L2
	3HAC077810-001	Swing support, long, Clean Room Used for IRB 1300-10/1.15, IRB 1300-7/1.4 and IRB 1300-12/1.4.			X		L2
G	3HAC067822-001	Gasket for swing support, short Used for IRB 1300-11/0.9.		X	X	X	L2
	3HAC067823-001	Gasket for swing support, long Used for IRB 1300-10/1.15, IRB 1300-7/1.4 and IRB 1300-12/1.4.		X	X	X	L2
H	3HAC070148-004	Radial sealing on swing (to lower arm)		X	X	X	L2
J				X	X	X	
K	3HAC061327-036	O-ring on swing	X	X	X	X	L2

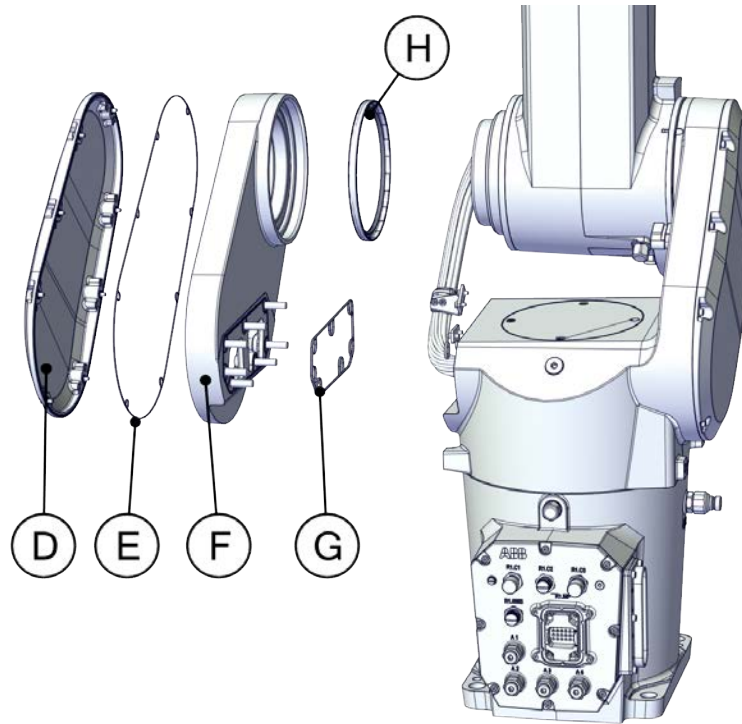
Continues on next page

1 Spare parts and exploded views

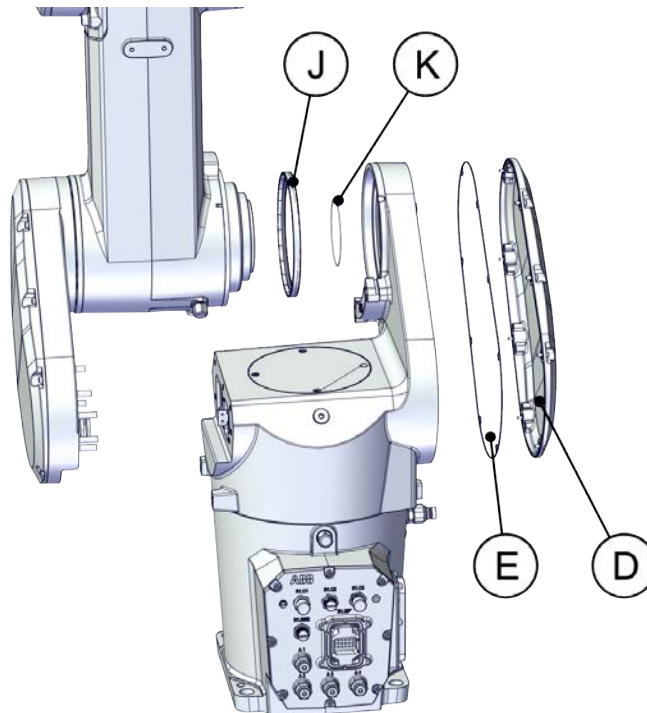
1.3.2 Swing parts

Continued

Spare part illustration - Part 2



xx2000002327



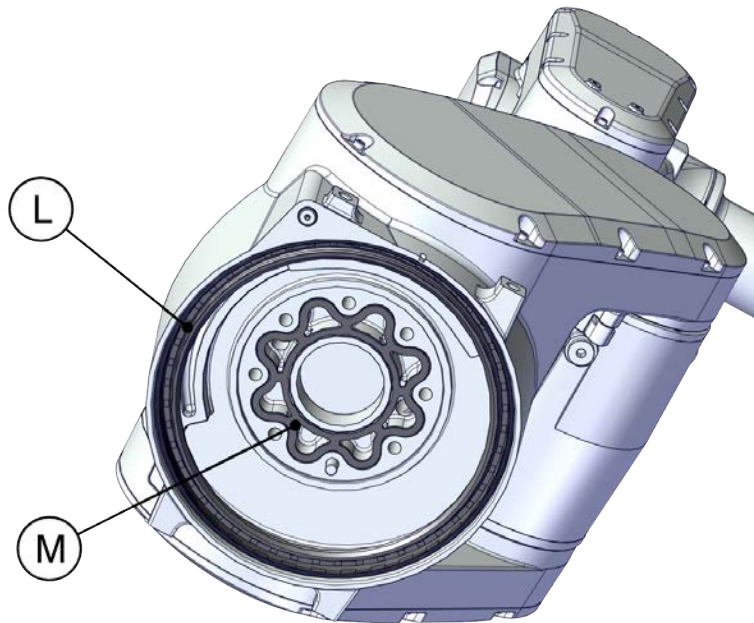
xx2000002328

Continues on next page

Spare part list - Part 3

	Spare part number	Description	IP40	IP67	Clean Room	Foundry Plus	Spare part level
L	3HAC070148-003	Radial sealing on swing (to base)			X	X	L2
M	3HAC067626-001	Gasket on swing	X	X	X	X	L2

Spare part illustration - Part 3



xx2000002329

1 Spare parts and exploded views

1.4.1 Lower arm

1.4 Spare parts - lower arm

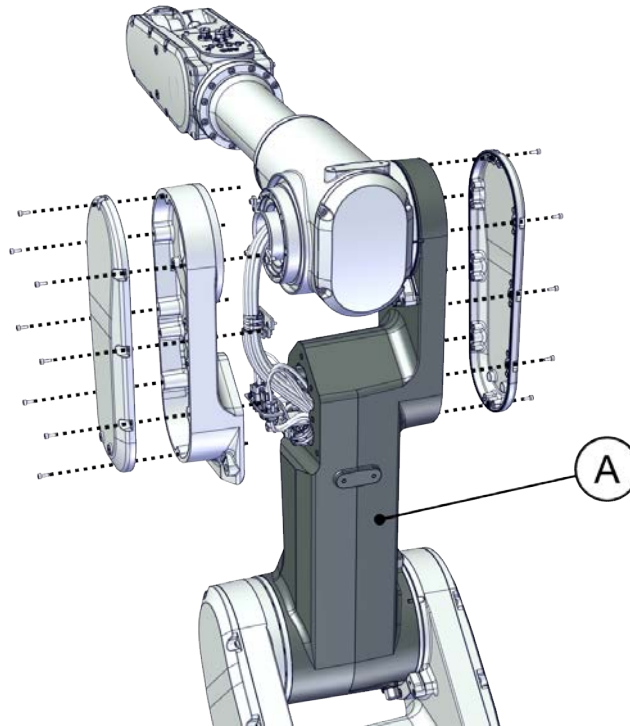
1.4.1 Lower arm

Spare part list

	Spare part number	Description	IP40	IP67	Clean Room	Foundry Plus	Spare part level
A	3HAC073073-001	Lower arm, short Used for IRB 1300-11/0.9.	X			X	L2
	3HAC077798-001	Lower arm, short, IP67 Used for IRB 1300-11/0.9.		X			L2
	3HAC077811-001	Lower arm, short, Clean Room Used for IRB 1300-11/0.9.			X		L2
	3HAC073074-001	Lower arm, long Used for IRB 1300-10/1.15, IRB 1300-7/1.4 and IRB 1300-12/1.4.	X			X	L2
	3HAC077799-001	Lower arm, long, IP67 Used for IRB 1300-10/1.15, IRB 1300-7/1.4 and IRB 1300-12/1.4.		X			L2
	3HAC077812-001	Lower arm, long, Clean Room Used for IRB 1300-10/1.15, IRB 1300-7/1.4 and IRB 1300-12/1.4.			X		L2

Continues on next page

Spare part illustration



xx2000001236

1 Spare parts and exploded views

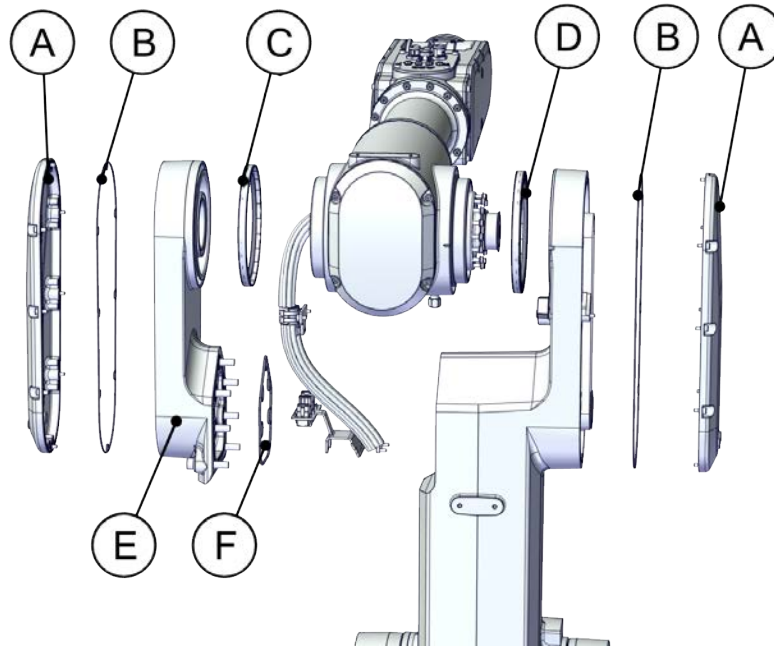
1.4.2 Lower arm parts

1.4.2 Lower arm parts

Spare part list - Part 1

	Spare part number	Description					Spare part level
			IP40	IP67	Clean Room	Foundry Plus	
A	3HAC073092-001	Lower arm cover	X	X		X	L1
	3HAC077821-001	Lower arm cover, Clean Room			X		L1
B	3HAC067832-001	Gasket for lower arm cover		X	X	X	L1
C	3HAC070148-005	Radial sealing on lower arm		X	X	X	L2
D						X	
E	3HAC073076-001	Lower arm support	X	X		X	L2
	3HAC077813-001	Lower arm support, Clean Room			X		L2
F	3HAC067826-001	Gasket for lower arm support		X	X	X	L2

Spare part illustration - Part 1



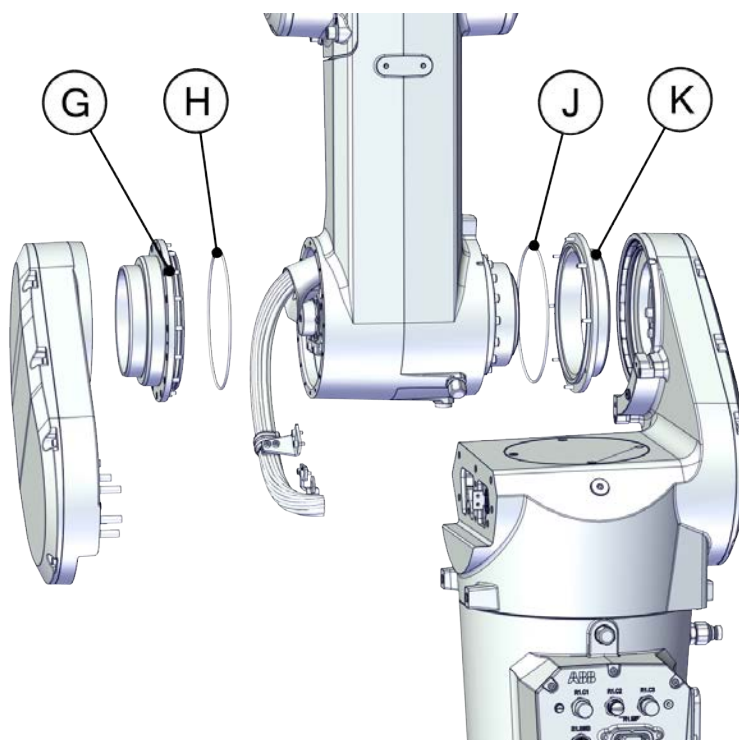
xx2000002330

Continues on next page

Spare part list - Part 2

	Spare part number	Description	IP40	IP67	Clean Room	Foundry Plus	Spare part level
G	3HAC065676-001	Sealing ring, swing support side	X	X	X	X	L2
H	3HAC061327-015	O-ring on lower arm		X	X	X	L2
J					X	X	
K	3HAC065675-001	Sealing ring, swing side		X	X	X	L2
L	3HAC037925-001	Magnetic oil plug, G 1/4"	X	X	X		L1

Spare part illustration - Part 2



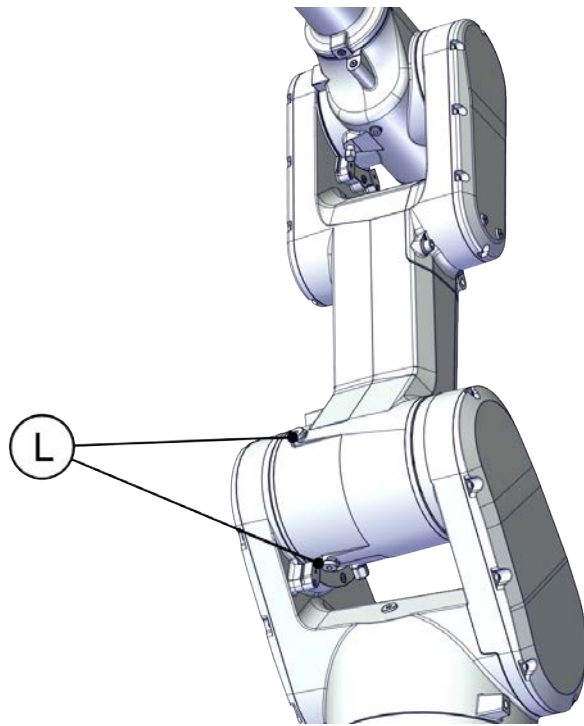
xx2000002331

Continues on next page

1 Spare parts and exploded views

1.4.2 Lower arm parts

Continued



xx2000002319

1 Spare parts and exploded views

1.5 Spare parts - housing and extender unit

1.5 Spare parts - housing and extender unit

Spare part list

	Spare part number	Description	IP40	IP67	Clean Room	Foundry Plus	Spare part level
A	3HAC073085-001	Extender unit Used for IRB 1300-7/1.4 and IRB 1300-12/1.4.	X	X			L2
	3HAC077818-001	Extender unit, Clean Room Used for IRB 1300-7/1.4 and IRB 1300-12/1.4.			X		L2
	3HAC077852-001	Extender unit, Foundry Plus Used for IRB 1300-7/1.4 and IRB 1300-12/1.4.				X	L2
B	3HAC070148-006	Radial sealing on housing			X	X	L2
C	3HAC073079-001	Housing	X				L2
	3HAC077801-001	Housing, IP67		X			L2
	3HAC077814-001	Housing, Clean Room			X		L2
	3HAC077848-001	Housing, Foundry Plus				X	L2
D	3HAC067833-001	Gasket for housing cover		X	X	X	L1
E	3HAC073093-001	Housing cover	X	X		X	L1
	3HAC077822-001	Housing cover, Clean Room			X		L1
F	3HAC075325-001	Rubber sealing washer			X		L1
G	3HAC078352-001	Plug screw	X	X		X	L1
	3HAC078351-001	Plug screw, Clean Room			X		L1
-	3HAB3413-412	Flange socket head screw with glue	X	X	X	X	L2

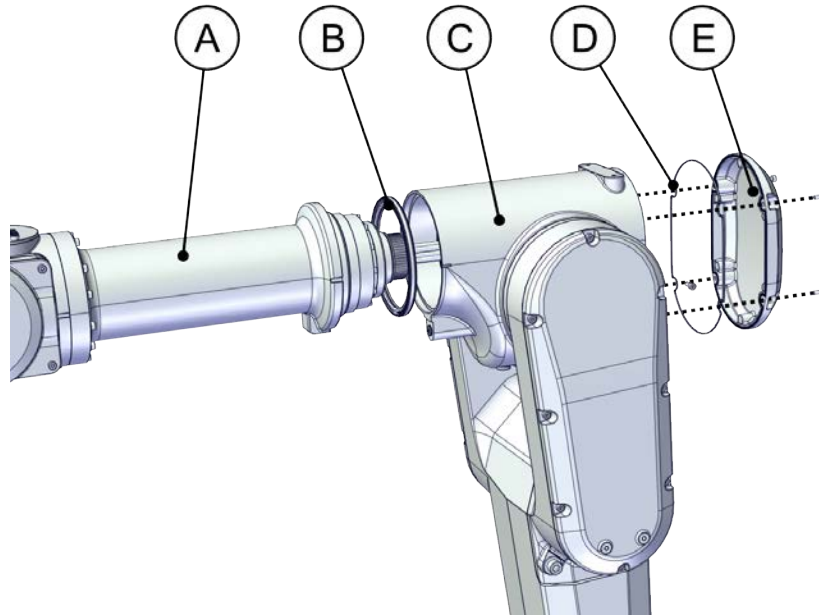
Continues on next page

1 Spare parts and exploded views

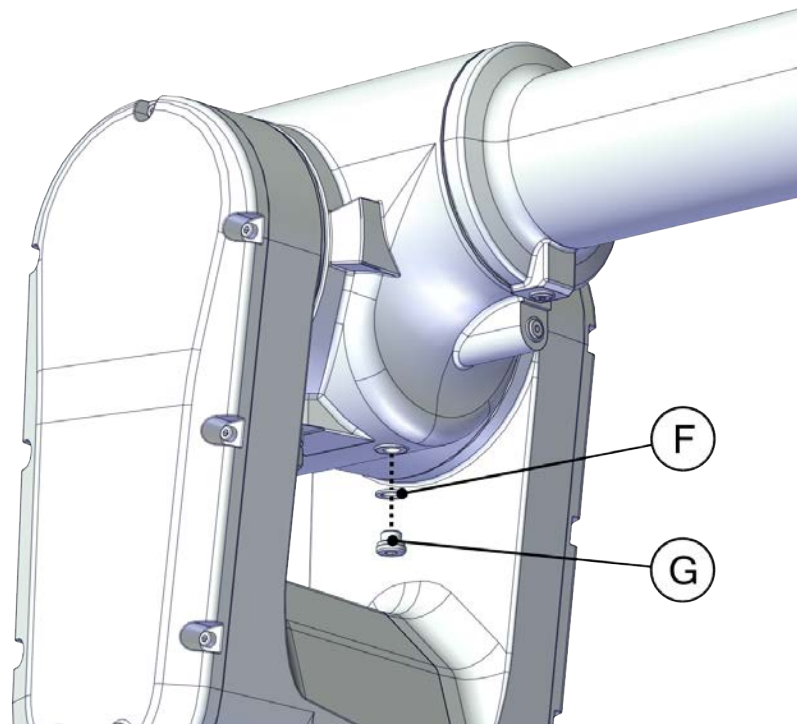
1.5 Spare parts - housing and extender unit

Continued

Spare part illustration



xx2000002332



xx2000002369

1.6 Spare parts - tubular

Spare part list

	Spare part number	Description	IP40	IP67	Clean Room	Foundry Plus	Spare part level
A	3HAC061327-018	O-ring on tubular		X	X	X	L2
B	3HAC073081-001	Tubular	X	X			L2
	3HAC077815-001	Tubular, Clean Room			X		L2
	3HAC077849-001	Tubular, Foundry Plus				X	L2
C	3HAC073082-001	Tubular support	X				L2
	3HAC077803-001	Tubular support, IP67		X			L2
	3HAC077816-001	Tubular support, Clean Room			X		L2
	3HAC077850-001	Tubular support, Foundry Plus				X	L2
D	3HAC067834-001	Gasket for tubular cover		X	X	X	L1
E	3HAC073094-001	Tubular cover	X	X		X	L1
	3HAC077823-001	Tubular cover, Clean Room			X		L1

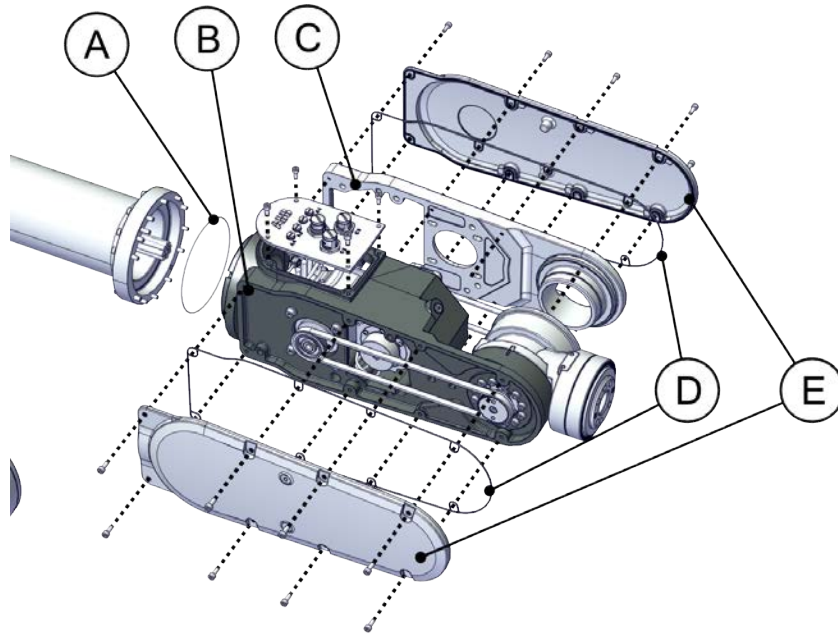
Continues on next page

1 Spare parts and exploded views

1.6 Spare parts - tubular

Continued

Spare part illustration



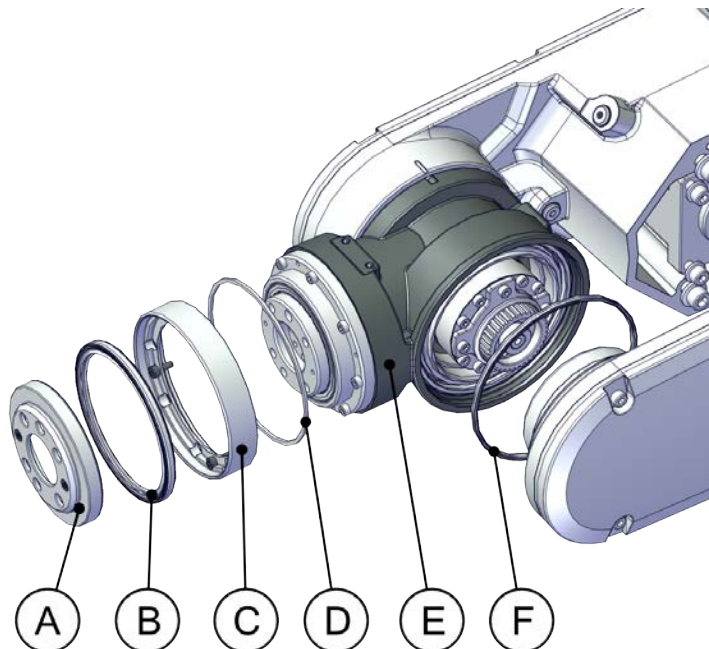
xx2000002333

1.7 Spare parts - tilt unit

Spare part list

	Spare part number	Description					Spare part level
A	3HAC075327-001	Inner ring cover on tilt unit				X	L2
B	3HAC070148-010	Sealing with dust lip				X	L2
C	3HAC075326-001	Outer ring cover on tilt unit				X	L2
D	3HAC077475-001	Gasket for tool mounting				X	L2
E	3HAC073083-001	Tilt unit	X				L2
	3HAC077804-001	Tilt unit, IP67		X			L2
	3HAC077817-001	Tilt unit, Clean Room			X		L2
	3HAC077851-001	Tilt unit, Foundry Plus				X	L2
F	3HAC044641-008	M2 variseal sealing				X	L2

Spare part illustration



xx2000002334

1 Spare parts and exploded views

1.8.1 Axis-1 motor

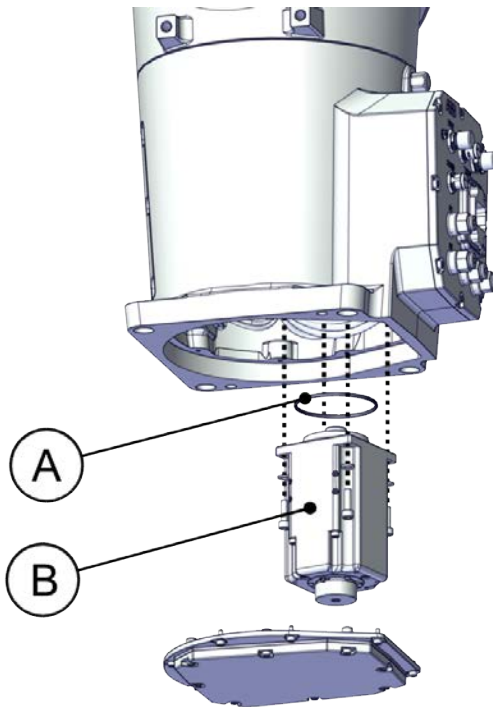
1.8 Spare parts - motors

1.8.1 Axis-1 motor

Spare part list

	Spare part number	Description	IP40	IP67	Clean Room	Foundry Plus	Spare part level
A	3HAC061327-037	O-ring on motor unit	X	X	X	X	L2
B	3HAC073039-001	Motor unit, axis 1	X	X	X	X	L2

Spare part illustration



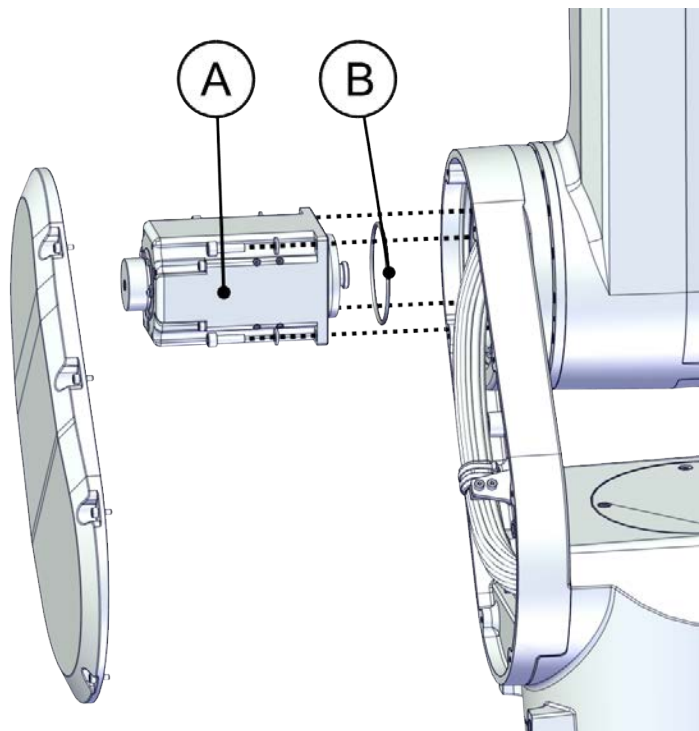
xx2000001241

1.8.2 Axis-2 motor

Spare part list

	Spare part number	Description	IP40	IP67	Clean Room	Foundry Plus	Spare part level
A	3HAC073078-001	Motor unit, axis 2	X	X	X	X	L2
	3HAC082078-001	Motor unit, axis 2 (IRB 1300-12/1.4)	X	X	X	X	L2
B	3HAC061327-037	O-ring on motor unit	X	X	X	X	L2

Spare part illustration



xx2000001242

1 Spare parts and exploded views

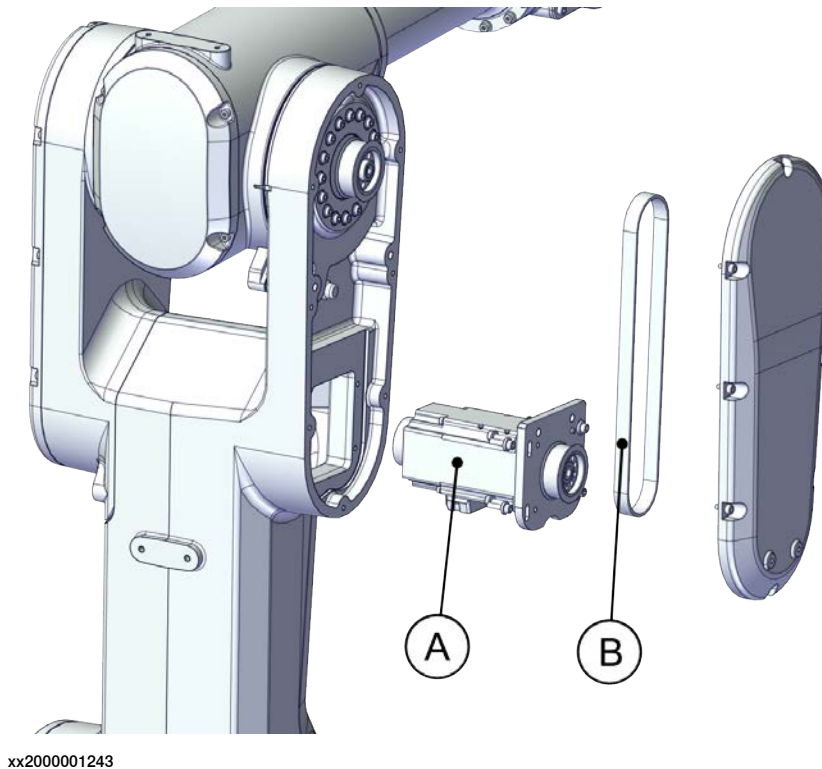
1.8.3 Axis-3 motor

1.8.3 Axis-3 motor

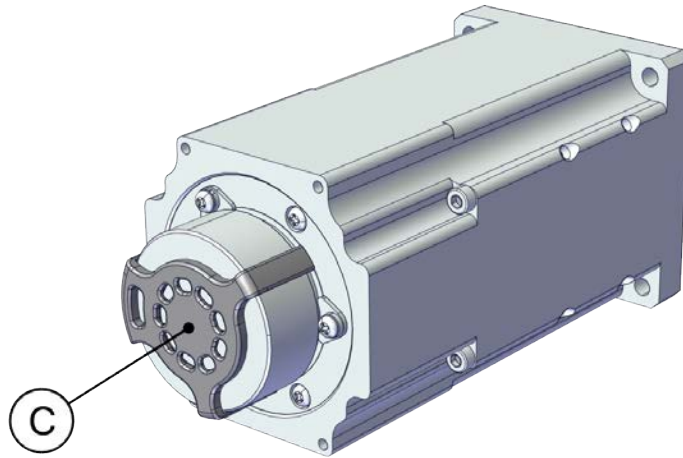
Spare part list

	Spare part number	Description	IP40	IP67	Clean Room	Foundry Plus	Spare part level
A	3HAC073086-001	Motor unit, axis 3	X	X	X	X	L2
	3HAC082079-001	Motor unit, axis 3 (IRB 1300-12/1.4)	X	X	X	X	L2
B	3HAC067040-001	Timing belt, axis 3	X	X	X	X	L2
C	3HAC060261-001	Resolver cover on motor (IRB 1300-12/1.4)	X	X	X	X	L2

Spare part illustration



Continues on next page



xx2100002769

1 Spare parts and exploded views

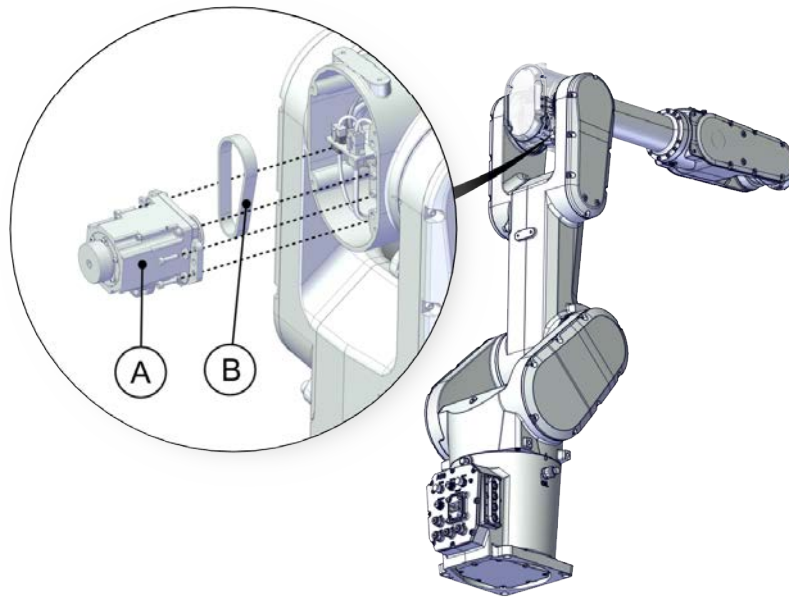
1.8.4 Axis-4 motor

1.8.4 Axis-4 motor

Spare part list

	Spare part number	Description	IP40	IP67	Clean Room	Foundry Plus	Spare part level
A	3HAC073087-001	Motor unit, axis 4	X	X	X	X	L2
B	3HAC065806-001	Timing belt, axis 4	X	X	X	X	L2

Spare part illustration



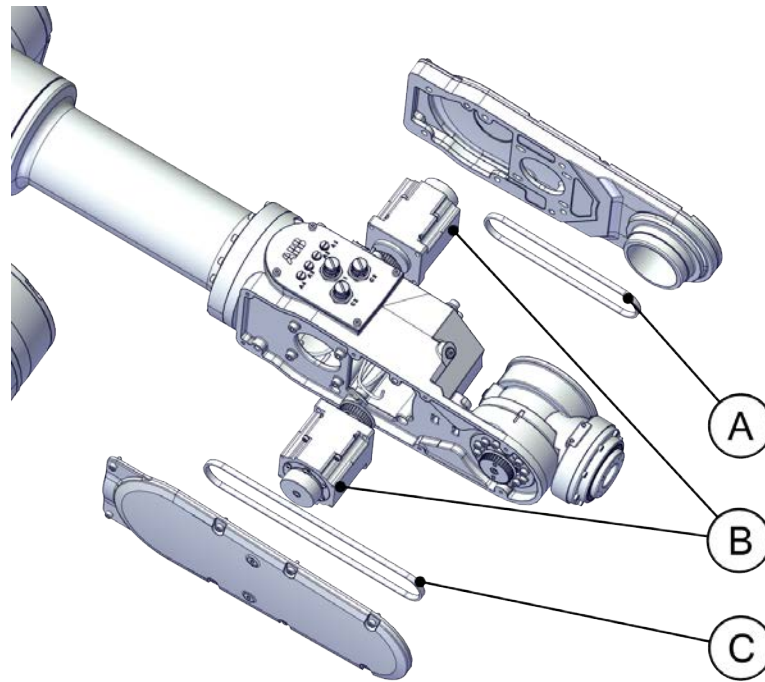
xx2000001244

1.8.5 Axis-5 and axis-6 motors

Spare part list

	Spare part number	Description	IP40	IP67	Clean Room	Foundry Plus	Spare part level
A	3HAC065788-001	Timing belt, axis 6	X	X	X	X	L2
B	3HAC073088-001	Motor unit, axis 5 and axis 6	X	X	X	X	L2
C	3HAC065794-001	Timing belt, axis 5	X	X	X	X	L2

Spare part illustration



xx2000001245

1 Spare parts and exploded views

1.9.1 Axis-1 gearbox

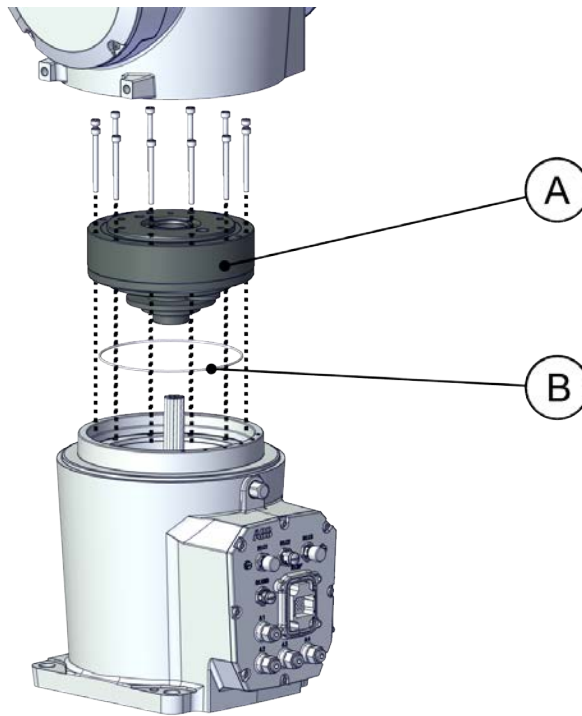
1.9 Spare parts - gearboxes

1.9.1 Axis-1 gearbox

Spare part list

	Spare part number	Description	IP40	IP67	Clean Room	Foundry Plus	Spare part level
A	3HAC063187-001	Gear unit, axis 1	X	X	X	X	L2
B	3HAC063187-007	O-ring on axis-1 gear unit	X	X	X	X	L2

Spare part illustration



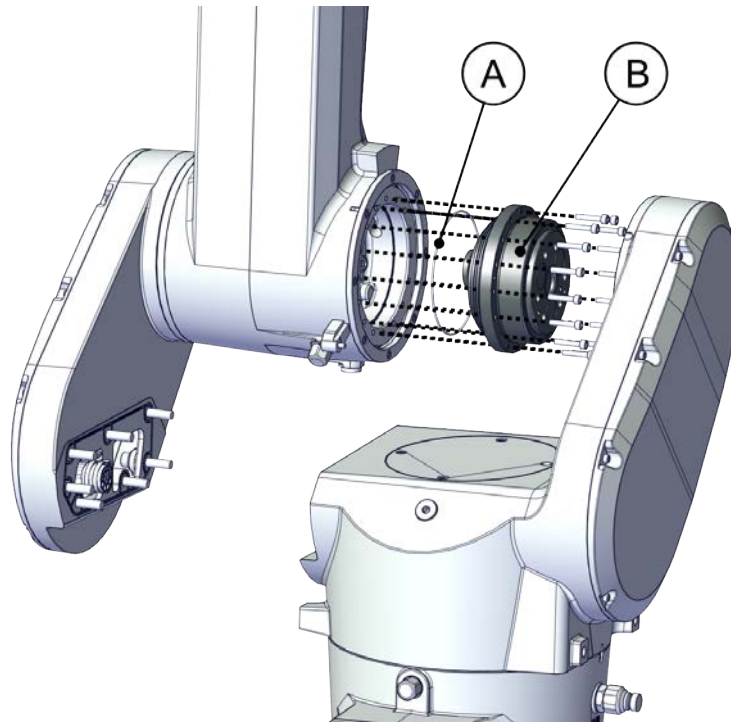
xx2000001246

1.9.2 Axis-2 gearbox

Spare part list

	Spare part number	Description	IP40	IP67	Clean Room	Foundry Plus	Spare part level
A	3HAC064977-001	Gear unit, axis 2	X	X	X	X	L2
B	3HAC064977-004	O-ring on axis-2 gear unit	X	X	X	X	L2

Spare part illustration



xx2000001247

1 Spare parts and exploded views

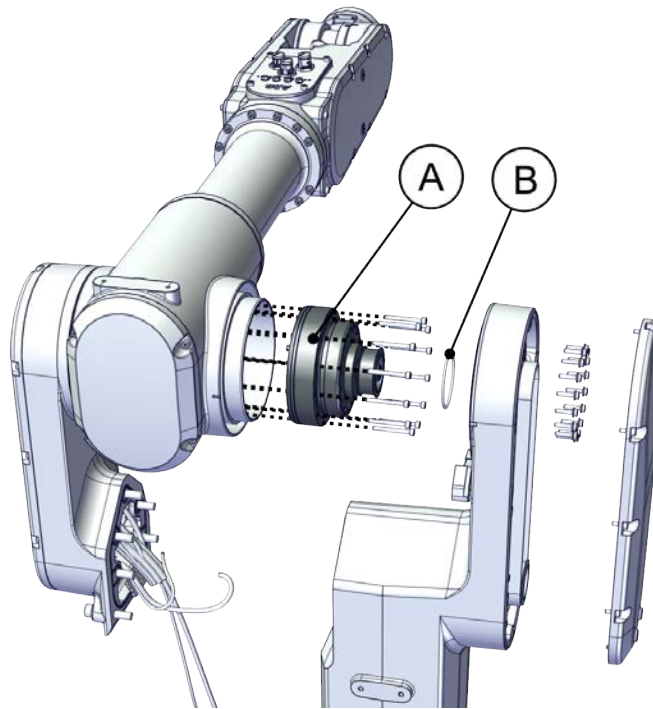
1.9.3 Axis-3 gearbox

1.9.3 Axis-3 gearbox

Spare part list

	Spare part number	Description					Spare part level
			IP40	IP67	Clean Room	Foundry Plus	
A	3HAC073080-001	Gear unit, axis 3	X	X	X	X	L2
B	3HAC061327-016	O-ring on circular spline side, axis 3		X	X	X	L2

Spare part illustration



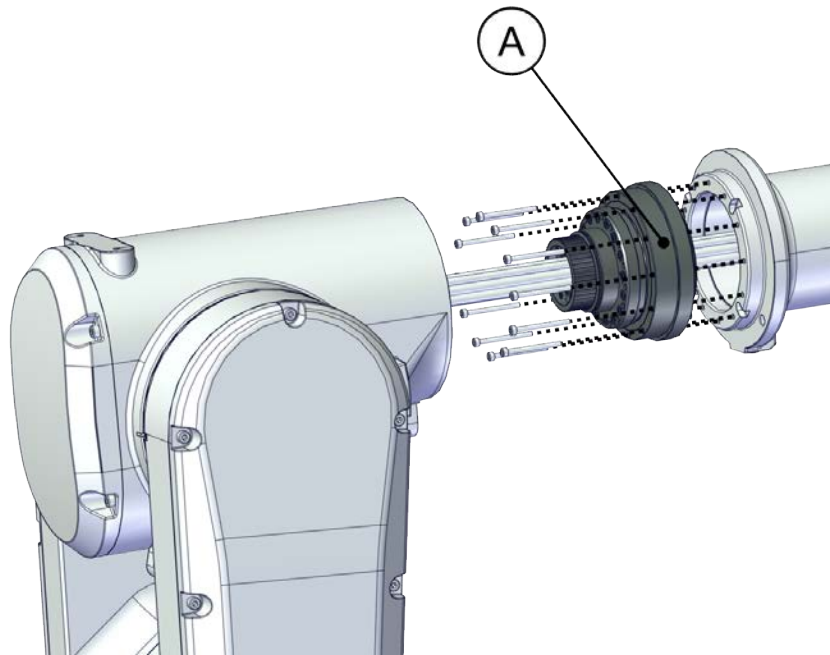
xx2000002335

1.9.4 Axis-4 gearbox

Spare part list

	Spare part number	Description	IP40	IP67	Clean Room	Foundry Plus	Spare part level
A	3HAC073084-001	Gear unit, axis 4	X	X	X	X	L2
B	3HAC061327-017	O-ring on flexible spline side, axis 4		X	X	X	L2
C	3HAC061327-021	O-ring on circular spline side, axis 4		X	X	X	L2

Spare part illustration



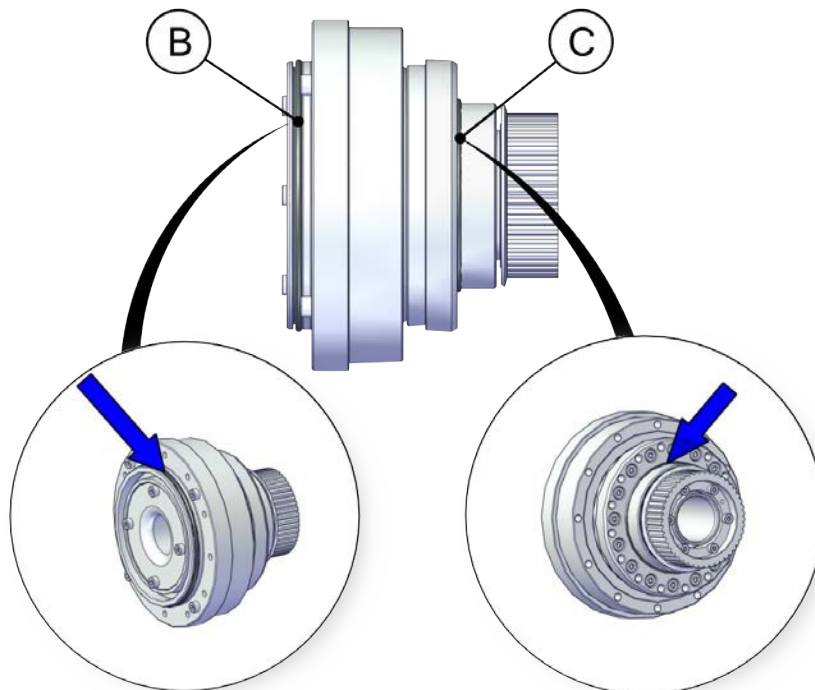
xx2000001249

Continues on next page

1 Spare parts and exploded views

1.9.4 Axis-4 gearbox

Continued



xx2000002336

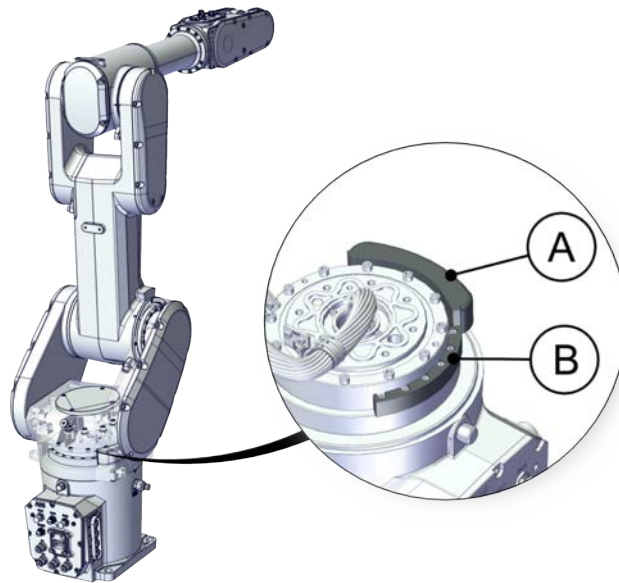
1.10 Spare parts - mechanical stops

1.10.1 Axis-1 mechanical stops

Spare part list

	Spare part number	Description	IP40	IP67	Clean Room	Foundry Plus	Spare part level
A	3HAC065755-001	Mechanical stop, axis 1, slider	X	X	X	X	L2
B	3HAC064478-001	Mechanical stop, axis 1, fixed block	X	X	X	X	L2

Spare part illustration



xx200000406

1 Spare parts and exploded views

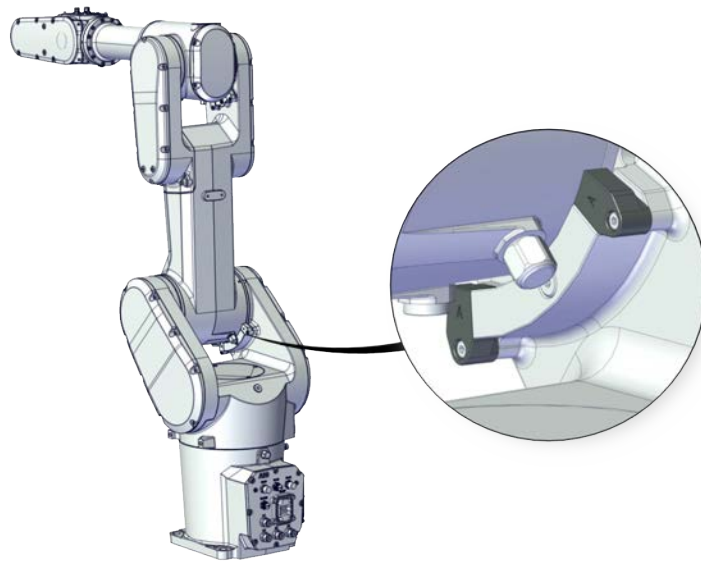
1.10.2 Axis-2 mechanical stops

1.10.2 Axis-2 mechanical stops

Spare part list

	Spare part number	Description	IP40	IP67	Clean Room	Foundry Plus	Spare part level
A	3HAC065651-001	Mechanical stop, block A	X	X	X	X	L1

Spare part illustration



xx200000407

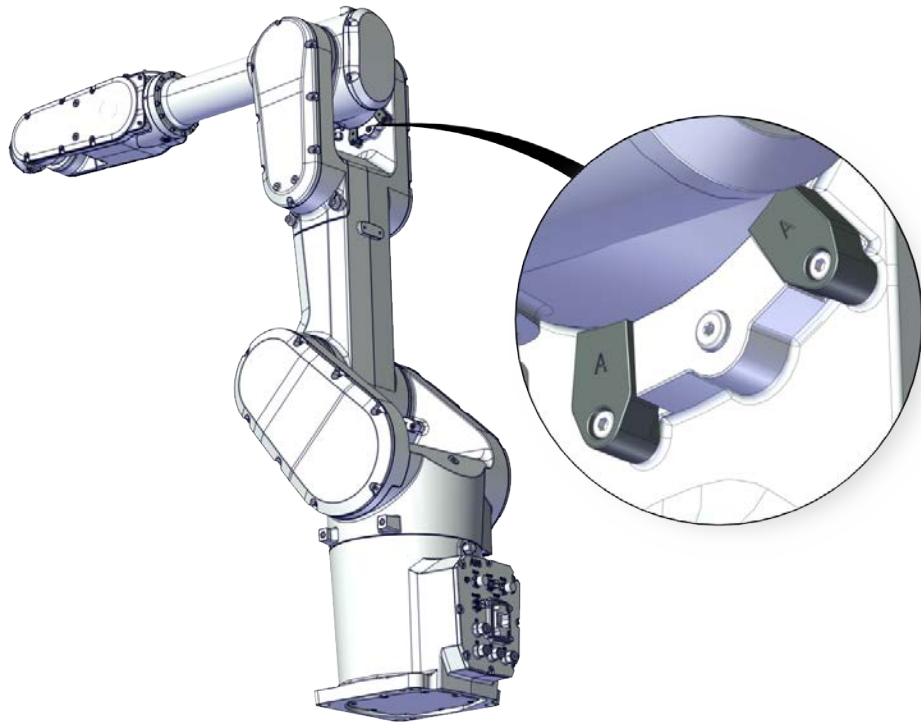
1.10.3 Axis-3 mechanical stops

Spare part list

	Spare part number	Description	IP40	IP67	Clean Room	Foundry Plus	Spare part level
A	3HAC065651-001	Mechanical stop, block A	X	X	X	X	L1
B	3HAC065671-001	Mechanical stop, block B Used for IRB 1300-10/1.15.	X	X	X	X	L1

Spare part illustration

IRB 1300-11/0.9, IRB 1300-7/1.4 and IRB 1300-12/1.4



xx200000408

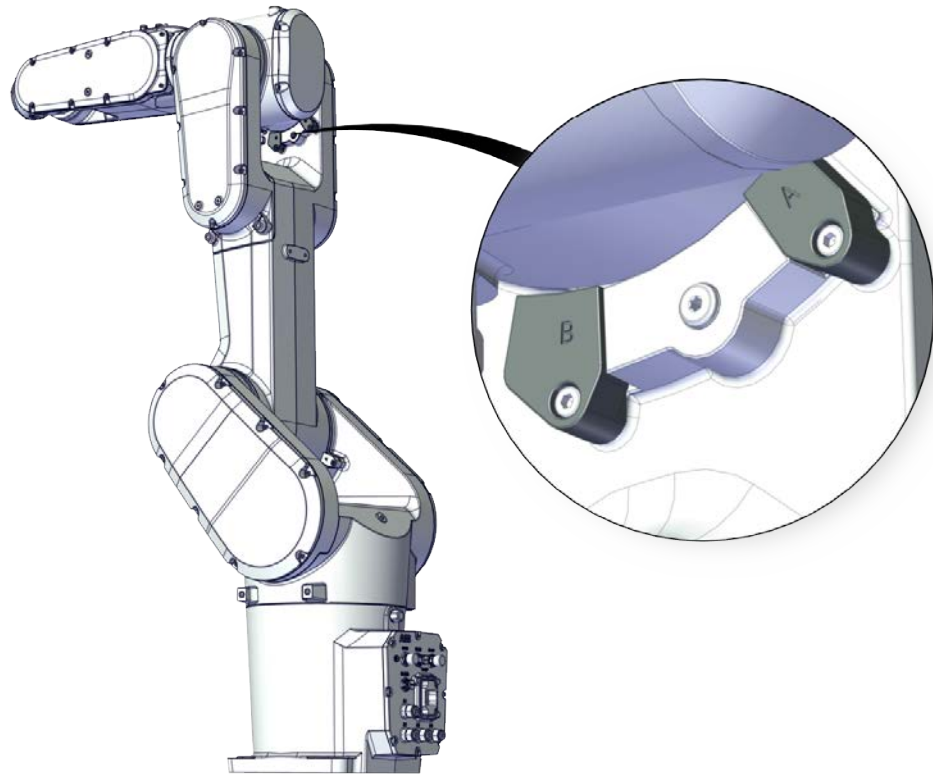
Continues on next page

1 Spare parts and exploded views

1.10.3 Axis-3 mechanical stops

Continued

IRB 1300-10/1.15



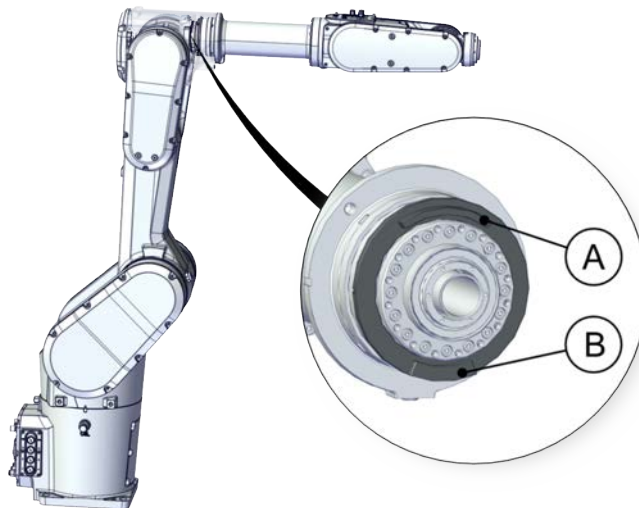
xx200000471

1.10.4 Axis-4 mechanical stops

Spare part list

	Spare part number	Description	IP40	IP67	Clean Room	Foundry Plus	Spare part level
A	3HAC065805-001	Mechanical stop, axis 4, flange	X	X	X	X	L2
B	3HAC065804-001	Mechanical stop, axis 4, slider	X	X	X	X	L2

Spare part illustration



xx200000409

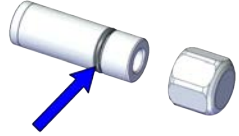
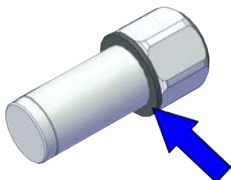

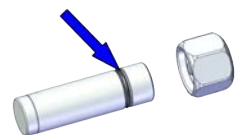
1 Spare parts and exploded views

1.11.1 Axis Calibration items

1.11 Spare parts - Accessories

1.11.1 Axis Calibration items

Spare part list



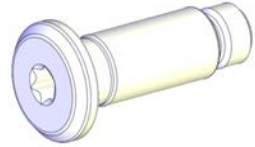

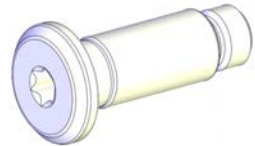
	Spare part number	Description	IP40	IP67	Clean Room	Foundry Plus	Illustration
A	3HAC061327-011	O-ring on calibration pin	X	X	X	X	 xx2000001253
B	3HAC075323-001	Rubber sealing washer for 14-mm calibration pin cover			X		 xx2000002370
C	3HAC056253-002	Calibration pin cover, 14 mm	X	X	X	X	 xx2000001252
D	3HAC061327-022	O-ring on calibration pin	X	X	X	X	 xx2000001255

Continues on next page

1 Spare parts and exploded views

1.11.1 Axis Calibration items

Continued


	Spare part number	Description	IP40	IP67	Clean Room	Foundry Plus	Illustration
E	3HAC075325-001	Rubber sealing washer for 10-mm calibration pin cover			X		 xx2000002371
F	3HAC056253-003	Calibration pin cover, 10 mm	X	X	X	X	 xx2000001254
G	3HAC053237-002	Protective plug for 12-mm bushing	X	X	X	X	 xx1600001042
H	3HAC075324-001	Rubber sealing washer with 12-mm protective cover			X		 xx2000002373
J	3HAC053237-003	Protective plug for 10-mm bushing	X	X	X	X	 xx1600001042

Continues on next page

1 Spare parts and exploded views

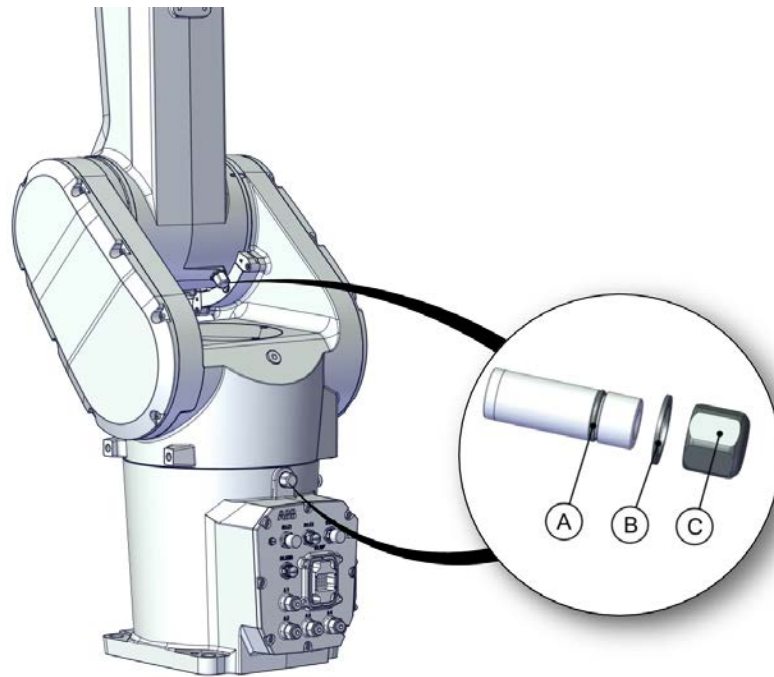
1.11.1 Axis Calibration items

Continued

	Spare part number	Description	IP40	IP67	Clean Room	Foundry Plus	Illustration
K	3HAC077381-001	Rubber sealing washer with 10-mm protective cover			X		 xx2000002372

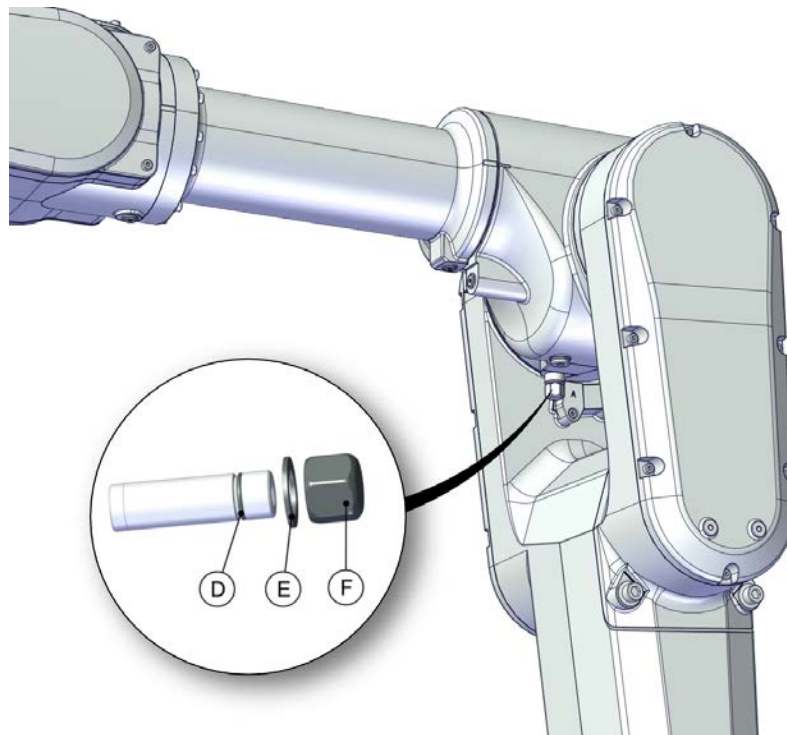
Spare part illustration

Calibration pin covers, o-rings and rubber washers



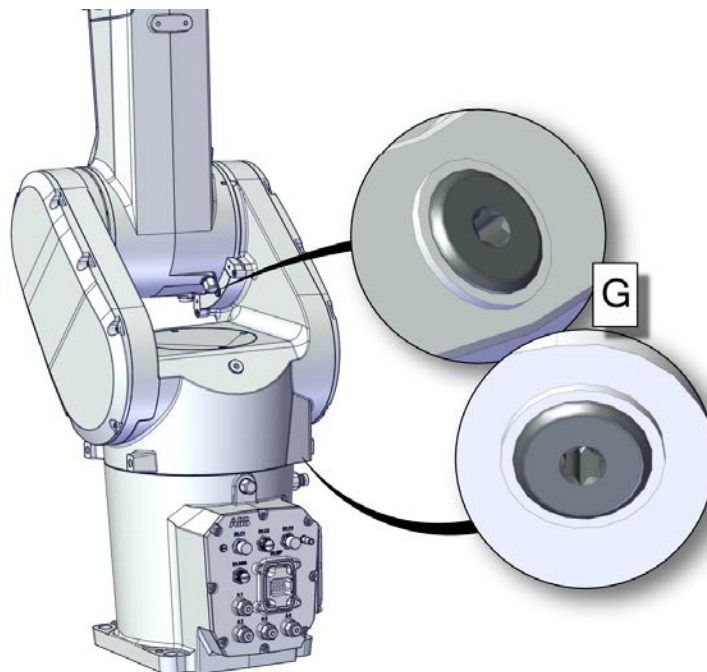
xx2000002374

Continues on next page



xx2000002375

Protective plugs and rubber washers for bushings



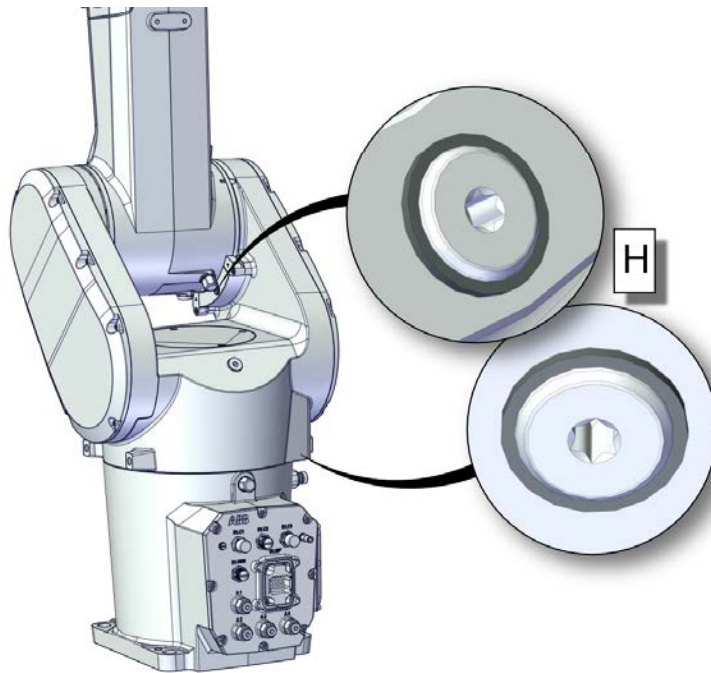
xx2000002376

Continues on next page

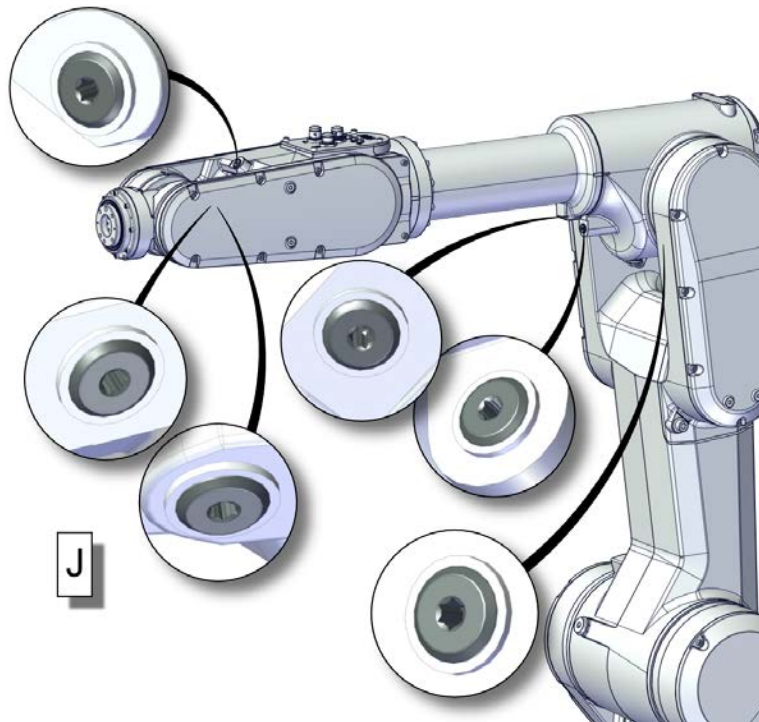
1 Spare parts and exploded views

1.11.1 Axis Calibration items

Continued

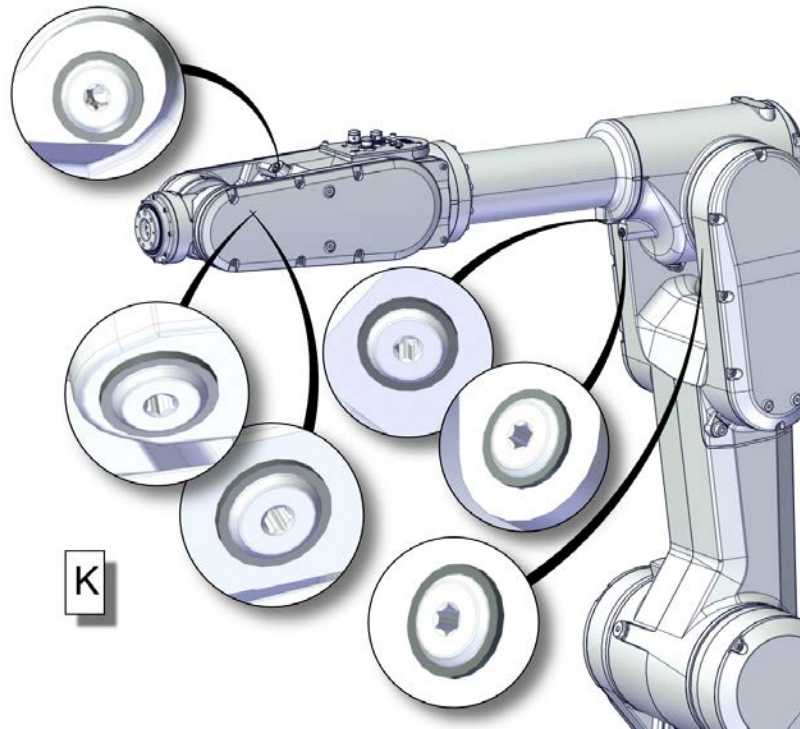


xx2000002377



xx2000002378

Continues on next page





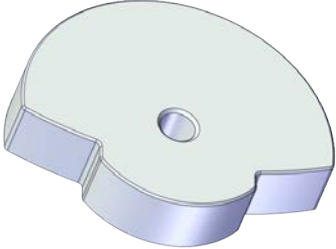

xx2000002379

1 Spare parts and exploded views

1.11.2 Special tools

1.11.2 Special tools

Spare part list

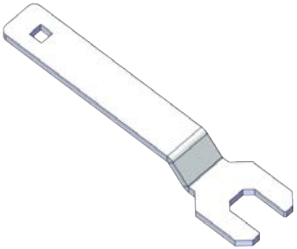
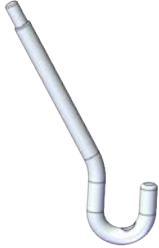
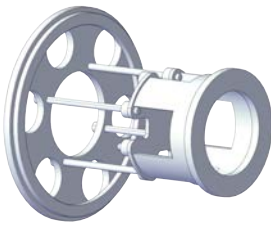

Spare part number	Description	Illustration
3HAC076396-001	Special toolkit Includes Axis-1 gearbox assembly cap, Axis-1 gearbox/motor sealing pressfit tool, Axis-1 gearbox/motor sealing pressfit base, Guide pin for axis-2 gearbox, Quick coupling assembly tool and Tension adjustment tool for axis-4 timing belt.	
-	Axis-1 gearbox assembly cap	 xx2000001331
-	Axis-1 gearbox/motor sealing pressfit tool	 xx2000001332
-	Axis-1 gearbox/motor sealing pressfit base	 xx2000001333
-	Guide pin for axis-2 gearbox	 xx2000001334

Continues on next page

1 Spare parts and exploded views

1.11.2 Special tools

Continued

Spare part number	Description	Illustration
-	Quick coupling assembly tool	 <p>xx2000001335</p>
-	Tension adjustment tool for axis-4 timing belt	 <p>xx2000001336</p>
3HAC078203-001	<p>Special toolkit for IP67/Clean Room/Foundry Plus robots</p> <p>Used with protection class IP67, and protection types Clean Room and Foundry Plus.</p> <p>Used for the press-fitting of radial sealings. Includes five sets of radial sealing assembly tool for axes 1 to 4 and axis 6.</p>	
-	<p>Radial sealing assembly tool, axis 1</p> <p>Included in special toolkit 3HAC078203-001.</p>	 <p>xx2000002380</p>
-	<p>Radial sealing assembly tool, axis 2</p> <p>Included in special toolkit 3HAC078203-001.</p>	 <p>xx2000002381</p>

Continues on next page

1 Spare parts and exploded views

1.11.2 Special tools

Continued

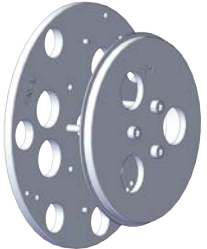
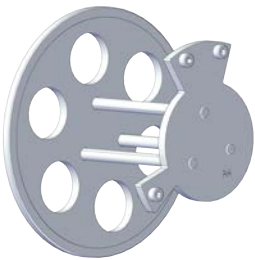
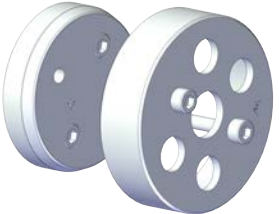
Spare part number	Description	Illustration
-	Radial sealing assembly tool, axis 3 Included in special toolkit 3HAC078203-001.	 xx2000002382
-	Radial sealing assembly tool, axis 4 Included in special toolkit 3HAC078203-001.	 xx2000002383
-	Radial sealing assembly tool, axis 6 Included in special toolkit 3HAC078203-001. Used with protection type Foundry Plus.	 xx2000002384
3HAC077885-001	Lifting accessory, robot Includes lifting accessories, lifting beam and screws.	



ABB AB

Robotics & Discrete Automation

S-721 68 VÄSTERÅS, Sweden

Telephone +46 10-732 50 00

ABB AS

Robotics & Discrete Automation

Nordlysvegen 7, N-4340 BRYNE, Norway

Box 265, N-4349 BRYNE, Norway

Telephone: +47 22 87 2000

ABB Engineering (Shanghai) Ltd.

Robotics & Discrete Automation

No. 4528 Kangxin Highway

PuDong New District

SHANGHAI 201319, China

Telephone: +86 21 6105 6666

ABB Inc.

Robotics & Discrete Automation

1250 Brown Road

Auburn Hills, MI 48326

USA

Telephone: +1 248 391 9000

abb.com/robotics